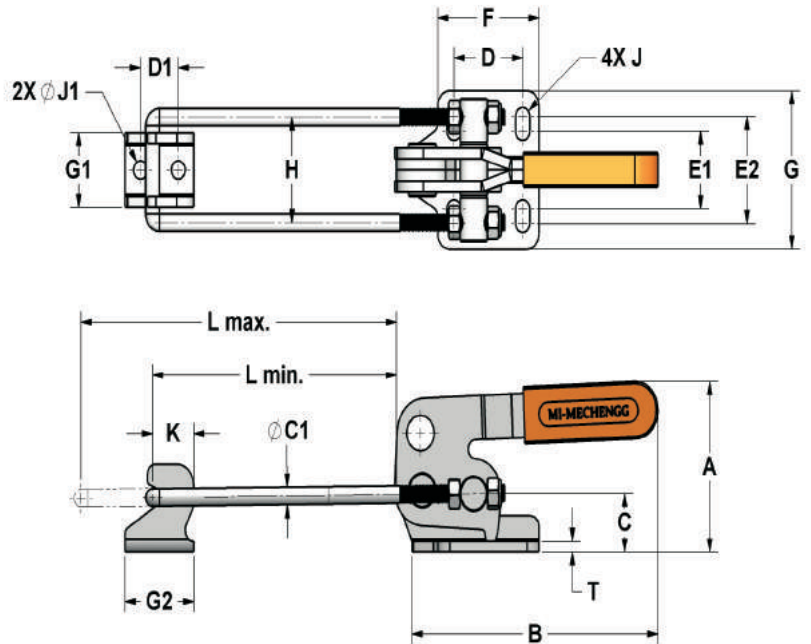


## SERIES - MI-L-H

### HORIZONTAL LATCH TYPE TOGGLE CLAMP

Supplied with hook rod, lock nuts, square bended U bolt & Latch clamp. Horizontal Latch clamps are especially suitable for quick closing and fastening of lids, flap, moulds, sealing chambers etc. Silicon orange rubber grip surface with oil & heat resistance.



- **Material** : Steel - **Surface Finish** : Electro Zinc - Plated
- **Hand Grip** : Silicon Rubber

PART NO	HOLDING CAPACITY (N)	APPROX $\Delta\Delta$ (Kg's)
MI-L-100-H	1000	0.115
MI-L-250-H	2500	0.210
MI-L-400-H	4000	0.345
MI-L-750-H	7500	0.820
MI-L-1000-H	10000	1.045



PART NO	A	B	C	C1	D	D1	E1	E2	F	G	G1	G2	H	J	J1	K	L max	L min	T
MI-L-100-H	45	71	16.5	4	16	10	17.2	22.8	26	35	16	19	23	7	4.2	14.5	53	32	2
MI-L-250-H	50.5	86	17.5	4	20	11	28.7	35.3	32.2	48	20	24	30	9.5	6.2	19.5	52	23	3
MI-L-400-H	61	94	21.5	6	25	14	24	32	38.5	50	26	30	36	10.2	6.2	24	72	37	3
MI-L-750-H	73	131	25.5	8	32	22	32.2	45.8	48	65	31	40	44	15	8.2	26	101	60	4
MI-L-1000-H	78	143	27	8	40	22	35.2	48.8	59	72	34	40	48	15	8.2	24	143	113	5