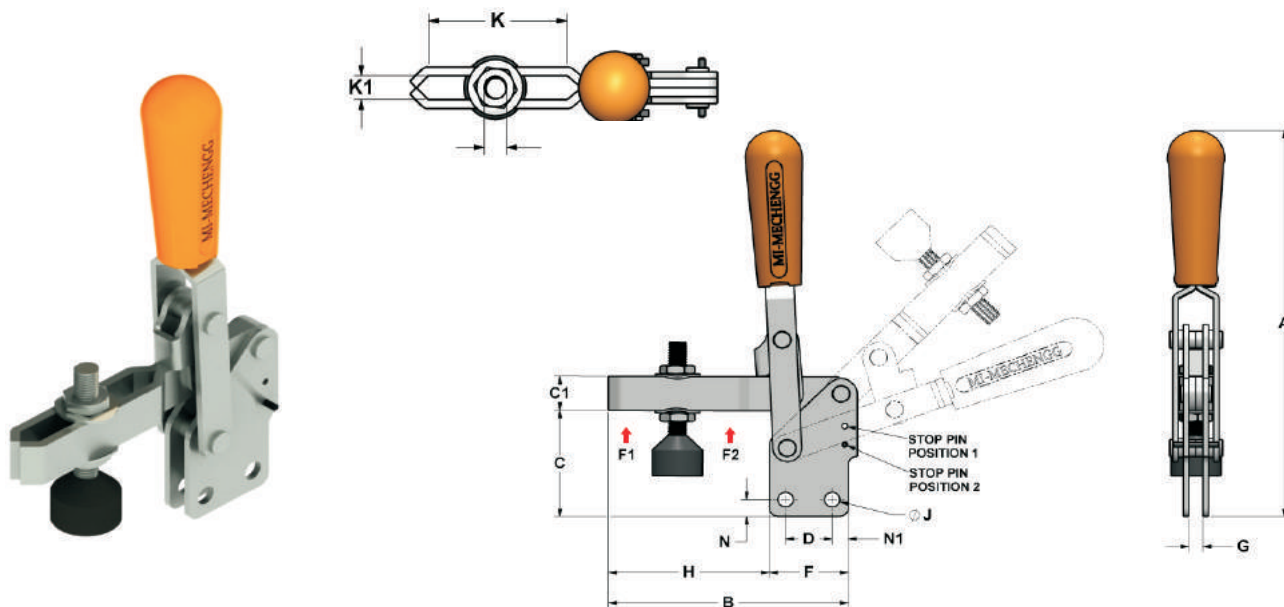


## SERIES - MI-V-SU

### STRAIGHT BASE U SHAPED HOLD DOWN ARM

Supplied with Spindle assemblies & Flange washers. Clamp runs with specially designed pre-lubricated bushes for long life cycle. Silicon rubber grip having large grip surface with oil & heat resistance.



- **Material** : Steel
- **Surface Finish** : Electro Zinc - Plated
- **Hand Grip** : Silicon Rubber
- **Clamping Bolt** : 8.8 Grade Moulded with NBR

PART NO	ARM OPENS AT PIN 1	HANDLE MOVES AT PIN 1	ARM OPENS AT PIN 2	HANDLE MOVES AT PIN 2	HOLDING CAPACITY F1 (N) ↑	F2 (N) ↑	APPROX $\Delta$ (Kg's)	SPINDLE SUPPLIED (METRIC) PART NO
MI-V-50-SU	90°	60°	-	-	0230	0500	0.85	NTS-V50
MI-V-100-SU	82°	57°	-	-	0420	1000	0.170	NTS-V100
MI-V-150-SU	46°	46°	112°	70°	0750	2000	0.400	NTS-V150
MI-V-250-SU	85°	55°	135°	72°	1250	3000	0.660	NTS-V250
MI-V-350-SU	50°	40°	110°	60°	1780	4000	0.950	NTS-V350
MI-V-450-SU	60°	50°	125°	75°	2250	5000	1.240	NTS-V450
MI-V-550-SU	42°	35°	78°	45°	2750	6000	2.630	NTS-V550

Note : For Spindle dimensions refer accessories page

PART NO	A	B	C	C1	D	E	F	G	H	J	K	K1	M	N	N1
MI-V-50-SU	97	56	28	9	15	-	25	4	31	4.5	22	5.5	M5	5	5
MI-V-100-SU	131	70	36	10	14	-	26	6	44	5	29	6	M6	6	6
MI-V-150-SU	176	102	55	16	19	-	36	6	66	7	48	9	M8	6.5	8.5
MI-V-250-SU	228	134	63	20	26	-	44	8	90	8.5	62.5	10.5	M10	10	9
MI-V-350-SU	243	145	72.5	21	31	-	49	8	96	8	72	10	M10	9	9
MI-V-450-SU	260	172	72	25	32	-	56	10	116	9	82	12.5	M12	10	12
MI-V-550-SU	350	216	126	32	45	-	76	10	140	12.5	107	17	M16	16	15.5