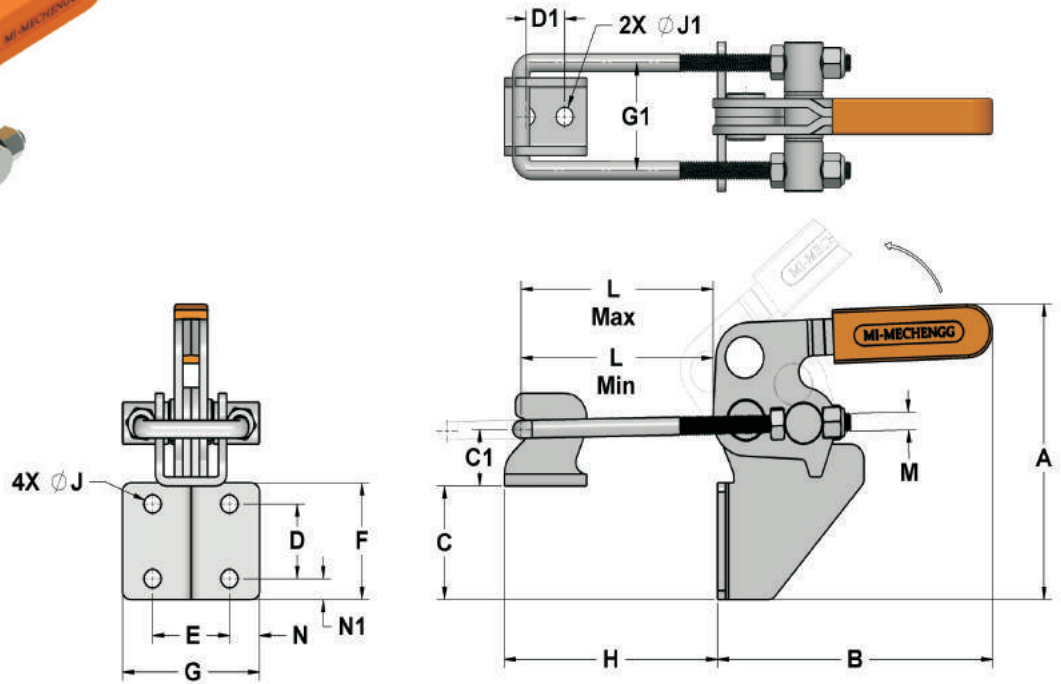


## SERIES - MI-L-H-FM

### LATCH CLAMP WITH FRONT MOUNTED

These clamps allow users to mount the clamp on the side of the work piece to save precious work surface for other uses. Supplied with hook rod, lock nuts, square bended U bolt & latch clamp. Silicon rubber grip having large grip surface with oil & heat resistance.



- **Material** : Steel
- **Surface Finish** : Electro Zinc - Plated
- **Hand Grip** : Silicon Rubber

PART NO	HOLDING CAPACITY (N)	APPROX $\frac{\Delta}{\Delta}$ (Kg's)
MI-L-100-H-FM	1000	0.133
MI-L-250-H-FM	2500	0.245
MI-L-400-H-FM	4000	0.510

PART NO	A	B	C	C1	D	D1	E	F	G	G1	H	J	J1	L max	L min	M	N	N1
MI-L-100-H-FM	70.5	76	25	13	16	10	20	26	35	23	59	4.2	4.2	53	32	M4	7.5	5
MI-L-250-H-FM	83.5	92.5	33	15	20	11	32	34	48	30	57	6.2	6.2	52	24	M4	8	7
MI-L-400-H-FM	99	100.5	38	19	25	14	28	39	50	36	78	6.2	6.2	72	37	M6	11	7