

SERIES - MINIATURE

MINIATURE - CLAMPS

These are the smallest in Horizontal toggle clamps series and these clamps are most useful for use with sheet metals, circuit boards or anywhere where light weight materials or work production is required.

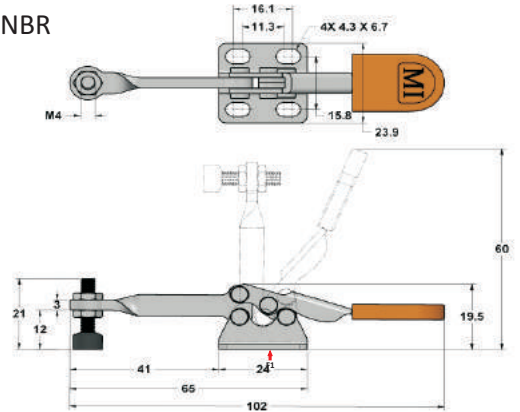
The handle of this model has been lengthened for increased leverage and gripping. Supplied with Spindle assemblies. Silicon rubber grip having large grip surface with oil & heat resistance.

- Material : Steel
- Surface Finish : Electro Zinc - Plated
- Hand Grip : Silicon Rubber
- Clamping Bolt : 8.8 Grade Moulded with NBR



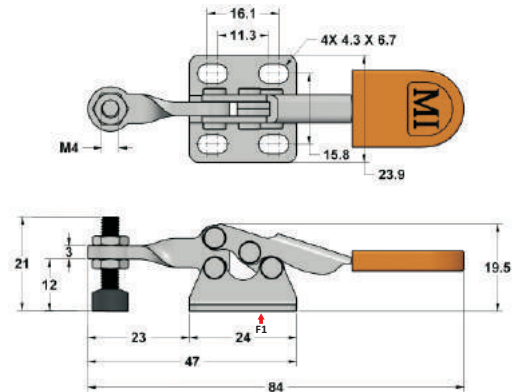
MI-MH-25-FEF

↑ F1* : 150 (N)
 Approx \triangle (kg's) : 0.35
 Spindle supplied : NTS-H25



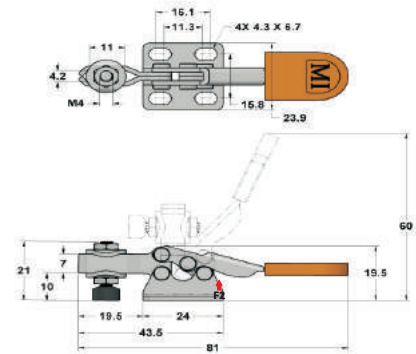
MI-MH-25-FF

↑ F1* : 200 (N)
 Approx \triangle (kg's) : 0.30
 Spindle supplied : NTS-H25



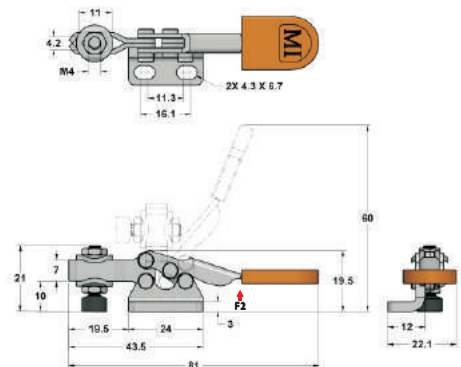
MI-MH-25-FU

↑ F1* :150 ↑ F2* :250 (N)
 Approx \triangle (kg's) : 0.30
 Spindle supplied : NTS-H25



MI-MH-25-FU-LH

↑ F1* :150 ↑ F2* :250 (N)
 Approx \triangle (kg's) : 0.30
 Spindle supplied : NTS-H25



SERIES - MINIATURE

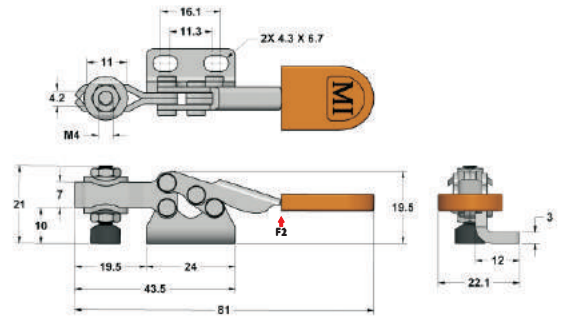
MINIATURE - CLAMPS

- **Material** : Steel
- **Surface Finish** : Electro Zinc - Plated
- **Hand Grip** : Silicon Rubber
- **Clamping Bolt** : 8.8 Grade Moulded with NBR



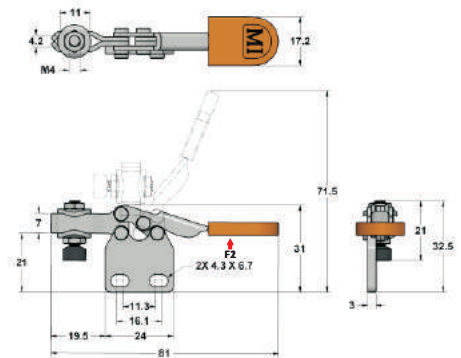
MI-MH-25-FU-RH

↑ F1* :150 ↑ F2* :250 (N)
 Approx Δ (kg's) :0.30
 Spindle supplied : NTS-H25



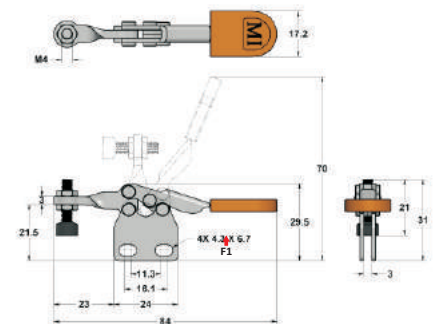
MI-MH-25-LSU

↑ F1* :150 ↑ F2* :250 (N)
 Approx Δ (kg's) :0.30
 Spindle supplied : NTS-H25



MI-MH-25-SF

↑ F1* : 200 (N)
 Approx Δ (kg's) :0.30
 Spindle supplied : NTS-H25



MI-MH-25-SU

↑ F1* :150 ↑ F2* :250 (N)
 Approx Δ (kg's) :0.30
 Spindle supplied : NTS-H25

