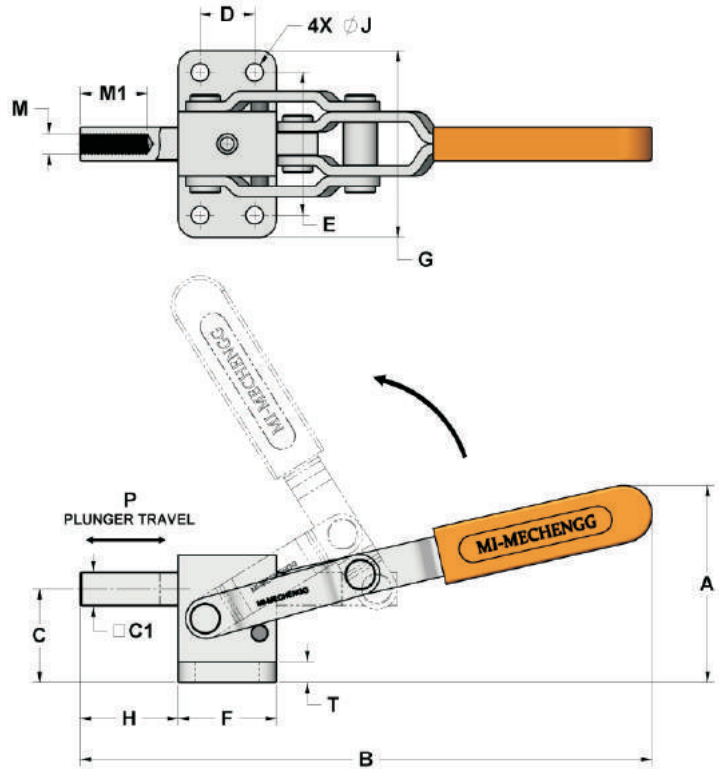


## SERIES - MI-HDPF - SB

### HEAVY DUTY FLANGE BASE MOUNT WITH SQUARE BAR

This model offers an excellent holding capacity. This low profile fast acting clamp comes with plunger ground and oiled for precise fit and smoothness in movements and has a tapped hole. Silicon orange rubber grip having large grip surface with oil & heat resistance. This can be mounted through bolts on the working table.



- **Material** : Steel
- **Surface Finish** : Electro Zinc - Plated
- **Hand Grip** : Silicon Rubber
- **Clamping Bolt** : 8.8 grade Moulded with NBR

PART NO	HOLDING CAPACITY (N)	APPROX  (Kg's)	SPINDLE SUPPLIED (METRIC) PART NO
MI-HDPF-350-SB	03500	0.415	NTS-HD150
MI-HDPF-1150-SB	11500	0.885	NTS-HD250
MI-HDPF-2650-SB	26500	1.820	NTS-HD650
MI-HDPF-4550-SB	45500	3.280	NTS-HD650

**Note :** For Spindle dimensions refer accessories page

PART NO	A	B	C	C1	D	E	F	G	H	J	M	M1	P	T
MI-HDPF-350-SB	58.5	168.5	27.5	10	16.1	42.1	29	55	29	5.2	M6	20	26	6
MI-HDPF-1150-SB	68	240	34.5	12	30.1	55.1	51	76	38.5	6.2	M8	30	36	6
MI-HDPF-2650-SB	91.5	313	39.5	20	45.1	60.1	68	79	44.5	8.2	M12	40	44	8
MI-HDPF-4550-SB	92.5	380	49	25	50.1	75.1	75	101	84	10.2	M12	50	70	10