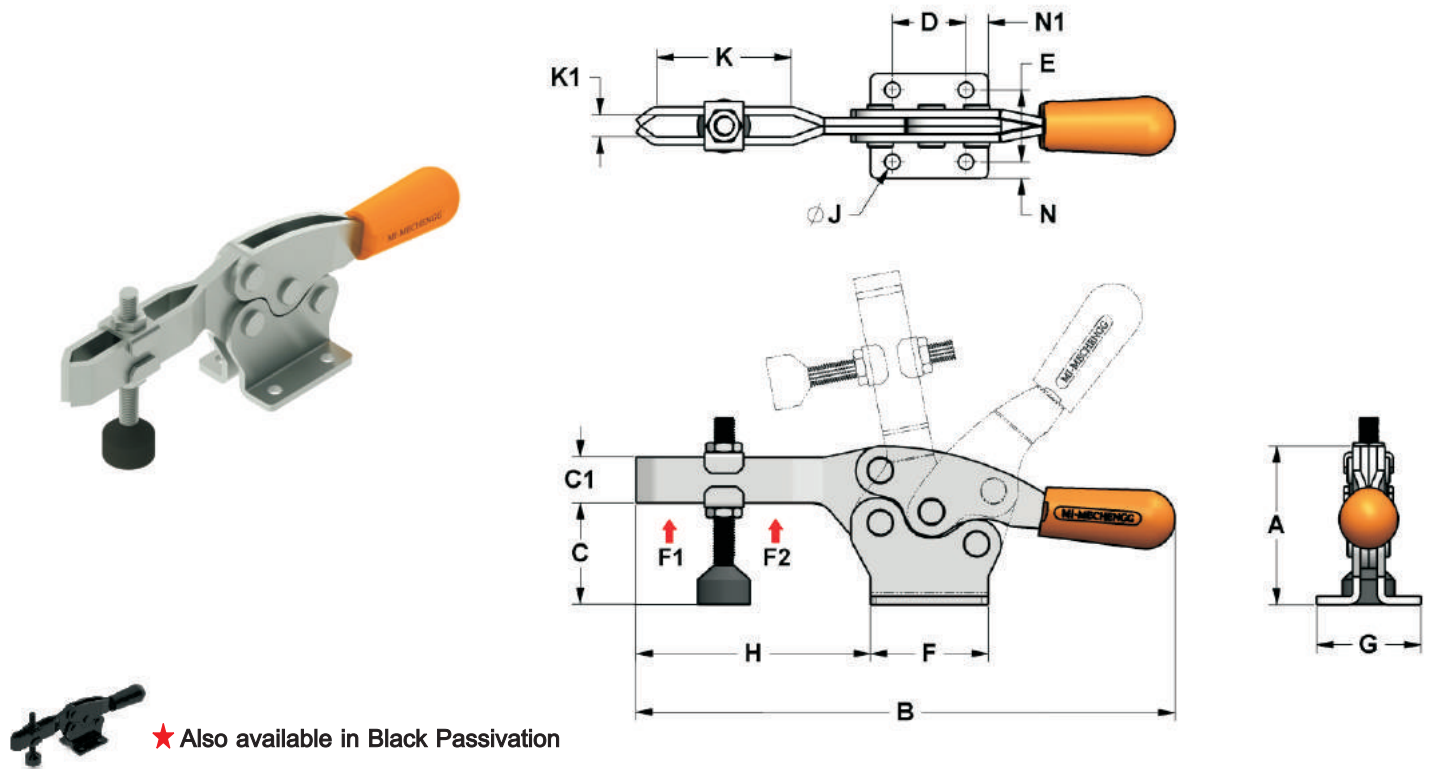


SERIES - MI-H-FU

FLANGE BASE U SHAPED HOLD DOWN ARM

Supplied with Spindle assemblies & Flange washers. Clamp runs with specially designed pre-lubricated bushes for long life cycle. Silicon rubber grip having large grip surface with oil & heat resistance.



- Material : Steel
- Surface Finish : Electro Zinc - Plated
- Hand Grip : Silicon Rubber
- Clamping Bolt : 8.8 Grade Moulded with NBR

PART NO	ARM OPENS	HANDLE MOVES	HOLDING CAPACITY		APPROX (Kg's)	SPINDLE SUPPLIED (METRIC) PART NO
			F1 (N)	F2 (N)		
MI-H-75-FU	79°	53°	0350	750	0.160	NTS-H75
MI-H-150-FU	79°	56°	0750	2000	0.235	NTS-H150
MI-H-250-FU	88°	58°	1000	2500	0.335	NTS-H250
MI-H-350-FU	89°	56°	1780	4000	0.915	NTS-H350
MI-H-650-FU	79°	58°	3250	7000	1.650	NTS-H650

Note : For Spindle dimensions refer accessories page

PART NO	A	B	C	C1	D	E	F	G	H	J	K	K1	M	N	N1
MI-H-75-FU	45.5	146	28	14	19	19.4	30	30	55	4.5	25	7	M5	5.3	5.5
MI-H-150-FU	46	159	31	14	24	23.4	35	34	66	4.5	36	8	M6	5.3	5.5
MI-H-250-FU	54	187	35	16	29.5	26.6	45	40	73	6.6	44	9	M8	6.7	7.7
MI-H-350-FU	80	272	49	22	39.5	38	60	55	113	8.5	68	11	M10	8.5	10.3
MI-H-650-FU	97	330	62	28	45	44	72	64	143.5	9.5	82	13	M12	10	13.5