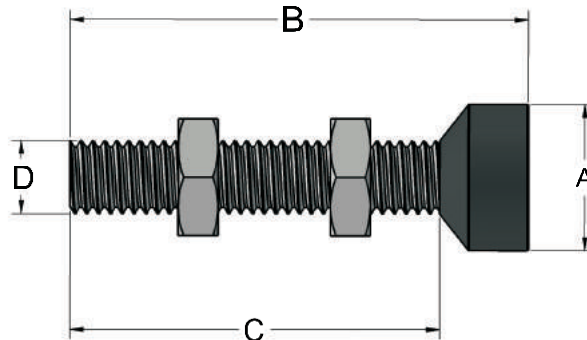


NITRILE TIP SPINDLE - NTS

Moulded with tempered and galvanized clamping screw (grade 8.8) Nitrile rubber in general can function in minus 40-degree to 226-degree F temperatures. It's three times as puncture resistant as natural rubber, as well as resistant to cuts, abrasion, tears, caustics, and aliphatic hydrocarbons.



MI-VERTICAL SERIES

PART NO	A	B	C	D
NTS-V50	13	35	30	5
NTS-V100	16	41	33	6
NTS-V150	20	71	51	8
NTS-V250	22	85	61	10
NTS-V350	22	100	76	10
NTS-V450	24	121	96	12
NTS-V550	32	163	138	16

MI-HORIZONTAL SERIES

PART NO	A	B	C	D
NTS-H75	16	56	43	6
NTS-H150	16	56	43	6
NTS-H250	20	71	51	8
NTS-H350	22	100	76	10
NTS-H650	24	105	82	12
NTS-H25	13	29	23	4
NTS-H45	13	35	28	4
NTS-C50	13	35	30	5
NTS-C150	16	56	43	6
NTS-C350	22	85	61	10

MI - CPCM / PUSH PULL SERIES

PART NO	A	B	C	D
NTS-CP50	13	35	30	5
NTS-CP100	16	41	33	6
NTS-CP150	16	56	43	6
NTS-CP250	20	71	51	8

MI - HDPF / HDPS PUSH PULL SERIES

PART NO	A	B	C	D
NTS-HD150	16	56	43	6
NTS-HD250	20	71	51	8
NTS-HD650	24	105	82	12
NTS-HD650	24	105	82	12

MI - PLP -PLH & PRH / PUSH PULL SERIES

PART NO	A	B	C	D
NTS-PL250	20	71	51	8
NTS-PL350	22	100	76	10
NTS-PL650	24	105	82	12
NTS-PL550	32	163	138	16

MI - PFM / PUSH PULL SERIES

PART NO	A	B	C	D
NTS-PF150	16	56	43	6
NTS-PF250	20	71	51	8
NTS-PF350	22	100	76	10

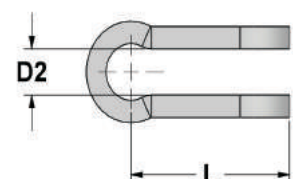
BOLT RETAINER - BR

MI-VERTICAL SERIES

PART NO	L	L2	D2
SRV-150	26	16	8.1
SRV-250	32	20	10.1
SRV-350	34	21	10.1
SRV-450	40	25	12.1

MI-HORIZONTAL SERIES

PART NO	L	L2	D2
SRH-150	23	14	6.1
SRH-250	26	16	8.1
SRH-350	35	22	10.1
SRH-650	45	28	12.1



FLANGE WASHERS

PART NO	A	B	C
FW-50	18	6.5	10
FW-100	18	6.5	12
FW-150	23	8.5	15
FW-250	26	11	20
FW-350	26	11	20
FW-450	32	12.5	23
FW-550	35	16.5	30
FWH-75	18	6.5	11
FWH-150	23	8.5	14
FWH-250	23	8.5	15
FWH-350	26	11	20
FWH-650	32	12.5	25
FWC-50	16	6.5	12
FWC-150	20	8.5	16
FWC-350	25	11.5	21

