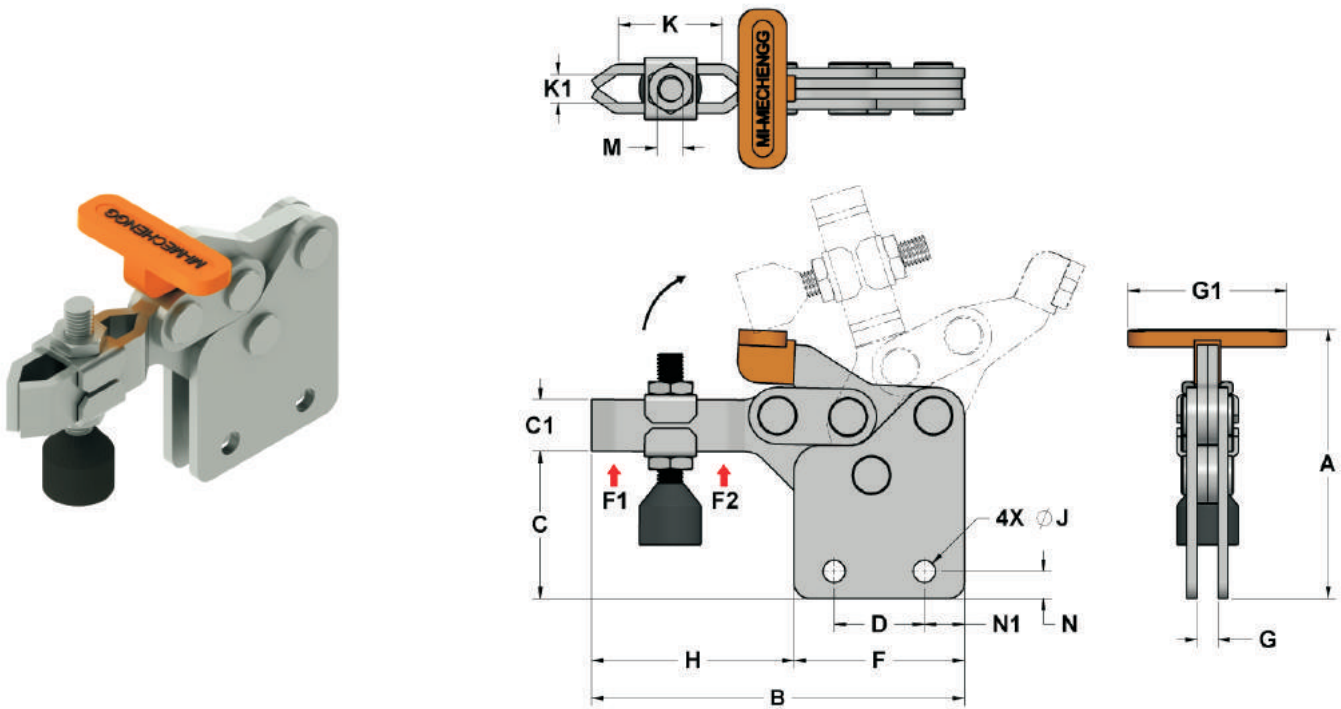


SERIES - MI-C-SU

COMPACT - STRAIGHT BASE U SHAPED HOLD DOWN ARM

This MI Low profile model is one of a kind in toggle clamps design. Its unique handle can be operated from either side or from behind. This model provides considerable holding capacity considering its size, and is ideal for circuit board work and other light duty applications.



- Material : Steel
- Surface Finish : Electro Zinc - Plated
- Hand Grip : Silicon Rubber
- Clamping Bolt : 8.8 grade Moulded with NBR

PART NO	ARM OPENS	HANDLE MOVES	HOLDING CAPACITY		APPROX	SPINDLE SUPPLIED
			F1 (N)	F2 (N)	(Kg's)	(METRIC) PART NO
MI-C-50-SU	89°	152°	0250	0500	0.75	NTS-C50
MI-C-150-SU	89°	154°	0750	1500	0.275	NTS-C150
MI-C-350-SU	73°	112°	1250	3500	0.760	NTS-C350

Note : For Spindle dimensions refer accessories page

PART NO	A	B	C	C1	D	F	G	G1	H	J	K	K1	M	N	N1
MI-C-50-SU	46	62	24	9	14	26	4	29	36	4.5	13	6	M5	5.5	6
MI-C-150-SU	77	94	38	14	23.5	44	6	49	49.6	7	21	8	M6	8	10.2
MI-C-350-SU	104.5	144.5	57	20	35	66	8	61.5	78.5	8.5	40.5	11	M10	10.5	15.5