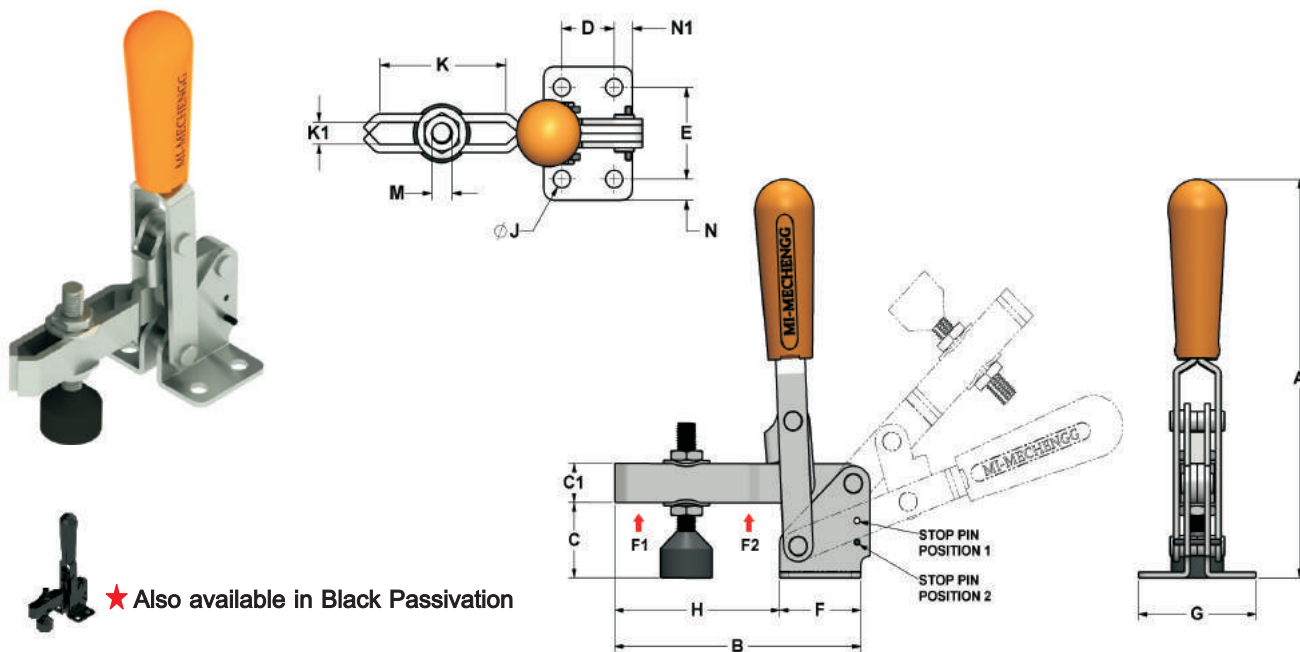


SERIES - MI-V-FU

FLANGE BASE U SHAPED HOLD DOWN ARM

Supplied with Spindle assemblies & Flange washers. Clamp runs with specially designed pre-lubricated bushes for long life cycle. Silicon rubber grip having large grip surface with oil & heat resistance.



- Material : Steel
- Surface Finish : Electro Zinc - Plated
- Hand Grip : Silicon Rubber
- Clamping Bolt : 8.8 Grade Moulded with NBR

PART NO	ARM OPENS AT PIN 1	HANDLE MOVES AT PIN 1	ARM OPENS AT PIN 2	HANDLE MOVES AT PIN 2	HOLDING CAPACITY F1 (N) ↑	F2 (N) ↑	APPROX $\Delta\Delta$ (Kg's)	SPINDLE SUPPLIED (METRIC) PART NO
MI-V-50-FU	89°	60°	-	-	0230	0500	0.85	NTS-V50
MI-V-100-FU	81°	56°	-	-	0420	1000	0.170	NTS-V100
MI-V-150-FU	46°	46°	112°	70°	0750	2000	0.400	NTS-V150
MI-V-250-FU	85°	47°	135°	72°	1250	3000	0.660	NTS-V250
MI-V-350-FU	50°	40°	110°	60°	1780	4000	0.950	NTS-V350
MI-V-450-FU	60°	50°	125°	75°	2250	5000	1.240	NTS-V450
MI-V-550-FU	40°	35°	80°	45°	2750	6000	2.630	NTS-V550

Note : For Spindle dimensions refer accessories page

PART NO	A	B	C	C1	D	E	F	G	H	J	K	K1	M	N	N1
MI-V-50-FU	85	56	16	9	15	24	25	34	31	4.5	22	5.5	M5	5	5
MI-V-100-FU	119	70	24	10	14	26	26	38	44	5	29	6	M6	6	6
MI-V-150-FU	158	102	36	16	19	38	36	51	66	7	48	9	M8	6.5	8.5
MI-V-250-FU	204	134	38.5	20	26	44	44	64	90	8.5	62.5	10.5	M10	10	9
MI-V-350-FU	218	145	48	21	31	50	49	68	96	8	72	10	M10	9	9
MI-V-450-FU	236	172	48	25	32	48	56	68	116	9	82	12.5	M12	10	12
MI-V-550-FU	313	216	89	32	45	64	76	96	140	12.5	107	17	M16	16	15.5