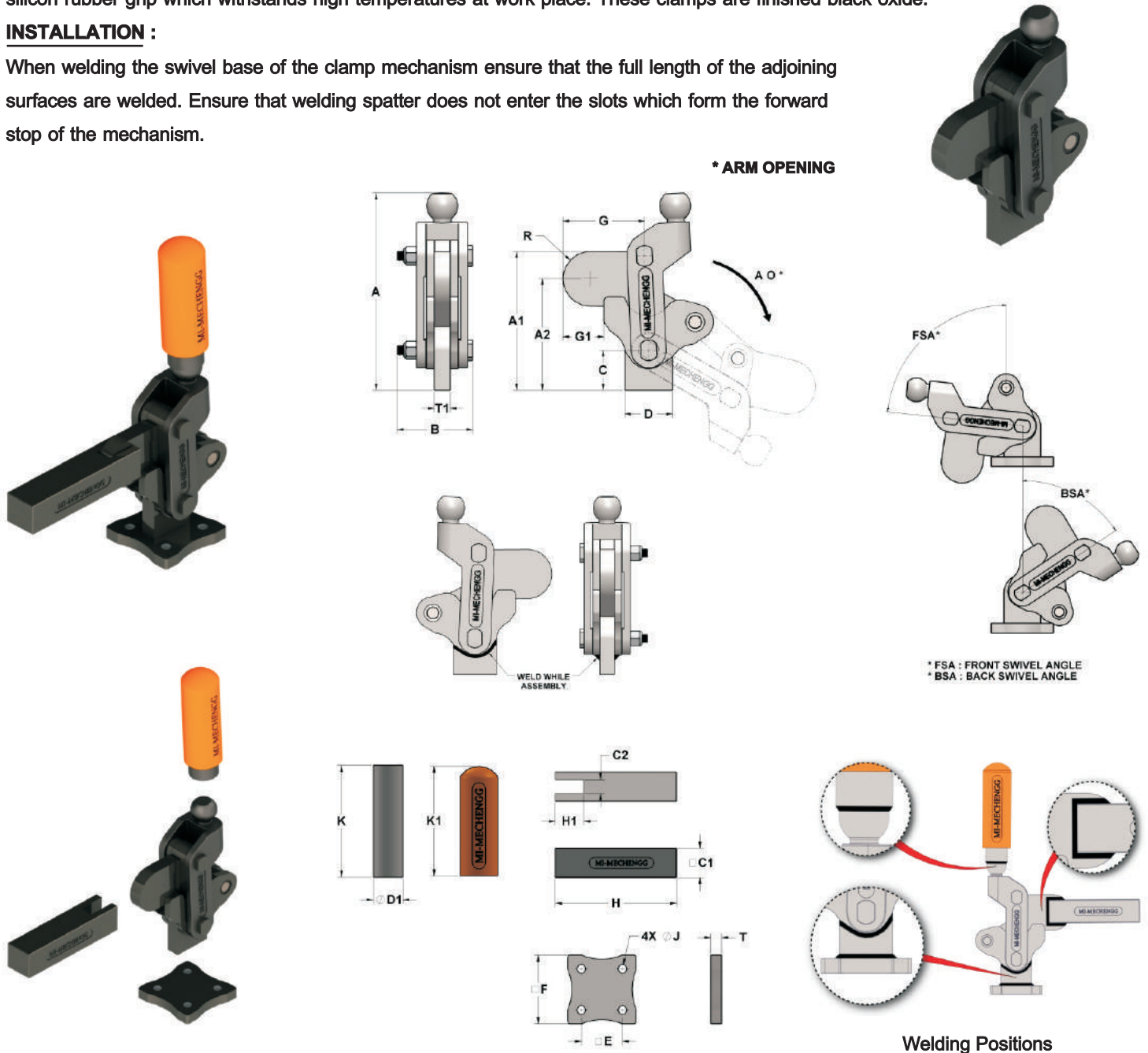


## MI - VERTICAL AUTOMOTIVE CLAMPS WITH SWIVEL BASE

These swivel base series are supplied in separate parts includes handle, silicon handle grip and clamping arm, which allows the designer to identify the suitable position and weld them to suit the application. These models feature with the swivel base which is welded at a desired angle to the mechanism then welded directly to the fixture or alternative to the bolt mounting base which is offered as an accessory. Clamping arm allows wide opening angle which enables easy loading and unloading of the workpiece. All clamps comes with an unique silicon rubber grip which withstands high temperatures at work place. These clamps are finished black oxide.

### INSTALLATION :

When welding the swivel base of the clamp mechanism ensure that the full length of the adjoining surfaces are welded. Ensure that welding spatter does not enter the slots which form the forward stop of the mechanism.



PART NO	FSA	BSA	AO	A	A1	A2	B	C	C1	C2	D	D1	E	F	G	G1	H	H1	J	K	K1	R	T	T1
MI-VAM-200	97	66	175	86.8	59.3	48.3	30.5	19	12	6.5	20	12	20.5	36	30.8	17	50	13	5.2	50	49	R11	6	6
MI-VAM-500	92	51	160	105	76	60	43	23	20	8.5	24	17	29.5	46	39.9	18.4	75	15	6.2	75	72	R16	6	8
MI-VAM-700	84	56	170	123	86.6	69.6	47	25	22	10.5	30	22	30.5	51	50.9	25.5	90	21	6.2	83	81	R17	8	10
MI-VAM-1200	89	53	170	145.3	112.8	90.8	55	31.5	25	12.5	28	27	40.5	64	55.8	24.8	100	25	8.2	101	90	R22	8	12
MI-VAM-2500	87	55	170	181.7	131.3	104.3	59	38.5	30	16.5	58	30	55.5	81	71.6	35.3	130	34	10.2	125	103	R27	10	16