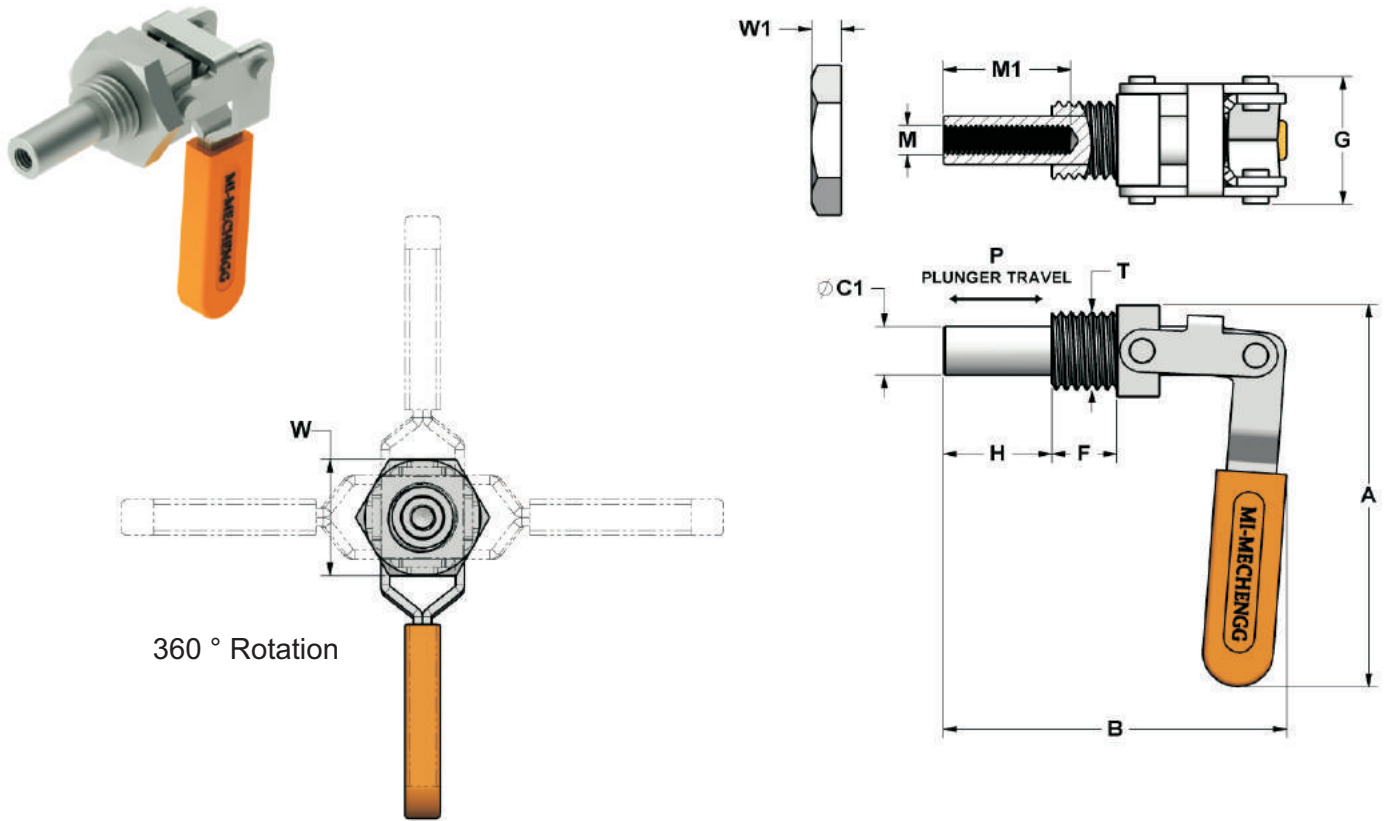


SERIES - MI-PFM

PUSH-PULL FRONT MOUNT SERIES

This straight line action clamp can be used as a full retractable locator. It can be mounted on a tooling plate with a jam nut, Flush mounted into a threaded hole, or mounted on an optional plate, when flush mounted, the plunger will retract completely away from the work piece. Silicon orange rubber grip having large grip surface with oil and heat resistance. The plunger is grounded and oiled for precise fit and smoothness in movement.



- Material : Steel
- Surface Finish : Electro Zinc - Plated
- Hand Grip : Silicon Rubber
- Clamping Bolt : 8.8 grade Moulded with NBR

PART NO	HOLDING CAPACITY (N)	APPROX (Kg's)	SPINDLE SUPPLIED (METRIC) PART NO
MI-PFM-80	0800	0.120	NTS-PF150
MI-PFM-150	1500	0.270	NTS-PF250
MI-PFM-350	3500	0.785	NTS-PF350

Note : For Spindle dimensions refer accessories page

PART NO	A	B	C1	F	G	H	M	M1	P	T	W	W1
MI-PFM-80	78.5	67	10	12.7	26.2	21.2	M6	25	19	M16	26.6	5.8
MI-PFM-150	103	118.3	11.1	15.8	32.3	39.5	M8	40	38	M20	33.3	7.3
MI-PFM-350	138.5	172.2	15.8	22	44.1	71	M10	50	68	M24	40	8.8