

## SERIES - MI-CPSB

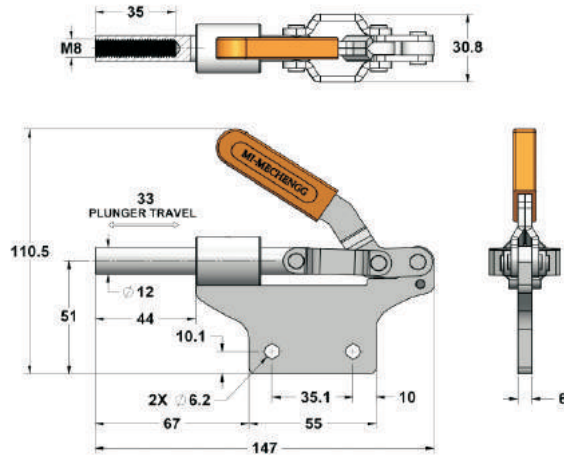
### COMPACT PUSH PULL STRAIGHT BASE SERIES

This series is designed for mounting both horizontal and vertical side, As the mounting area is straight these clamps allow users to save the precious work surface for other uses. Clamp runs with specially designed pre-lubricated bushes for long life cycle. Silicon rubber grip having large grip surface with oil & heat resistance.



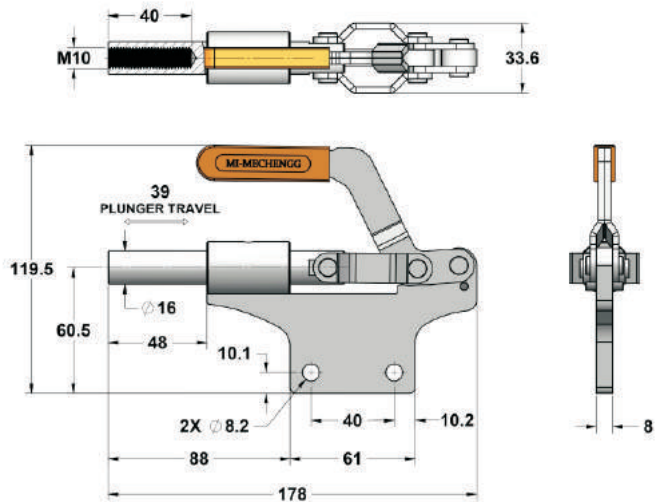
**MI-CPSB-300**

Holding capacity : 300 kg  
 Approx  $\triangle$  (kg's) :0.385  
 Spindle supplied : NTS-CP100



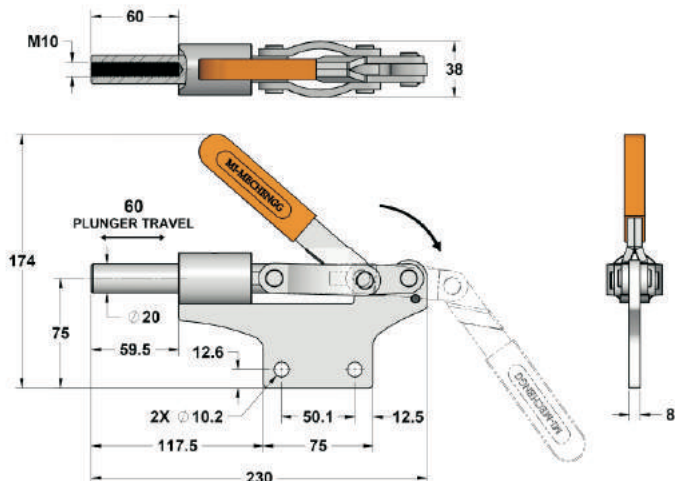
**MI-CPSB-400**

Holding capacity : 400 kg  
 Approx  $\triangle$  (kg's) :0.680  
 Spindle supplied : NTS-CP150



**MI-CPSB-700**

Holding capacity : 700 kg  
 Approx  $\triangle$  (kg's) :1.500  
 Spindle supplied : NTS-CP250



Note : For Spindle dimensions refer accessories page