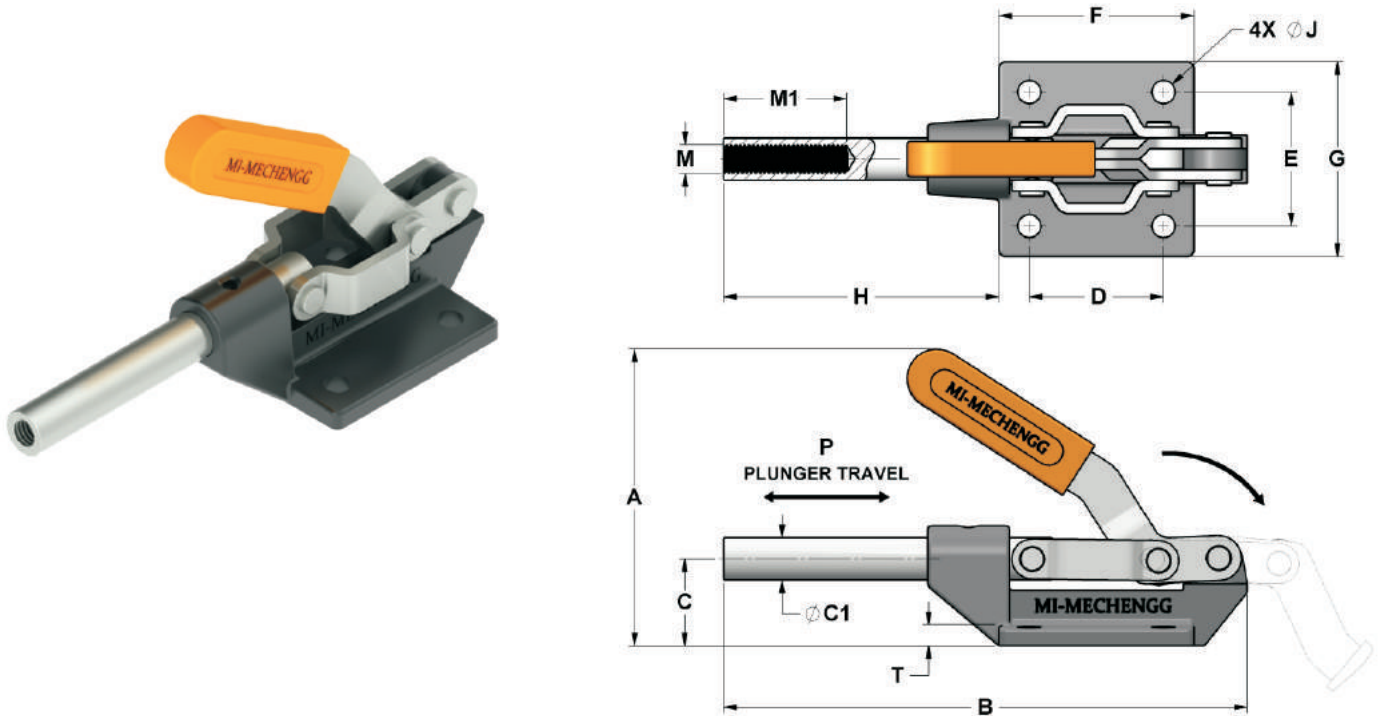


SERIES - MI-CPCM

COMPACT PUSH PULL CAST MOUNT

This model features a lost waxed base for strength and vibration damping properties. This model offers excellent holding capacity while maintaining a low profile. The plunger is ground and oiled for precise fit and smoothness in movements and has a tapped hole. Silicon orange rubber grip having large grip surface with oil & heat resistance.



- **Material** : Steel / Base : Casting - **Surface Finish** : Electro Zinc - Plated
- **Hand Grip** : Silicon Rubber - **Clamping Bolt** : 8.8 grade Moulded with NBR

| PART NO | HOLDING CAPACITY (N) | APPROX $\frac{\Delta}{\Delta}$ (Kg's) | SPINDLE SUPPLIED (METRIC) PART NO |
|-------------|----------------------|---------------------------------------|-----------------------------------|
| MI-CPCM-100 | 1000 | 0.210 | NTS-CP50 |
| MI-CPCM-300 | 3000 | 0.435 | NTS-CP100 |
| MI-CPCM-400 | 4000 | 0.550 | NTS-CP150 |
| MI-CPCM-700 | 7000 | 1.800 | NTS-CP250 |

Note : For Spindle dimensions refer accessories page

| PART NO | A | B | C | C1 | D | E | F | G | H | J | M | M1 | P | T |
|-------------|------|-------|------|----|------|------|----|----|-----|-----|-----|----|----|---|
| MI-CPCM-100 | 70 | 106.5 | 18 | 9 | 28.1 | 28.1 | 40 | 40 | 47 | 5.2 | M5 | 25 | 27 | 5 |
| MI-CPCM-300 | 84 | 148 | 24.5 | 12 | 37.8 | 37.8 | 55 | 55 | 78 | 6.5 | M8 | 35 | 34 | 6 |
| MI-CPCM-400 | 92.5 | 179 | 31.3 | 16 | 41.8 | 41.8 | 60 | 60 | 96 | 8.7 | M10 | 40 | 40 | 6 |
| MI-CPCM-700 | 146 | 232 | 45 | 20 | 50 | 50 | 74 | 74 | 114 | 10 | M10 | 60 | 60 | 9 |