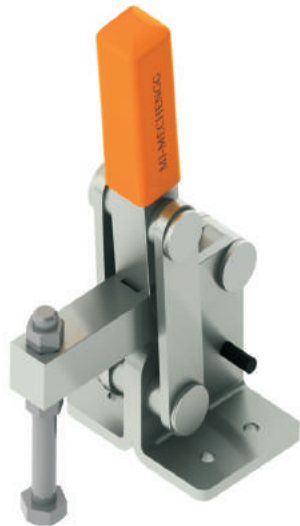


## SERIES - MI-VHD-FB & SB

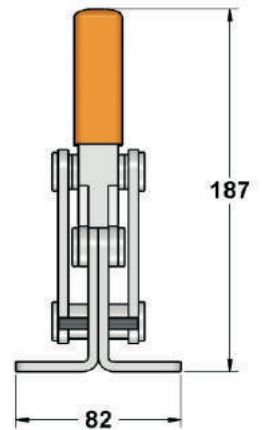
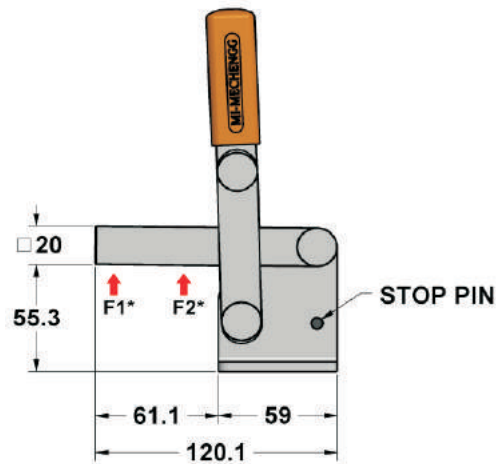
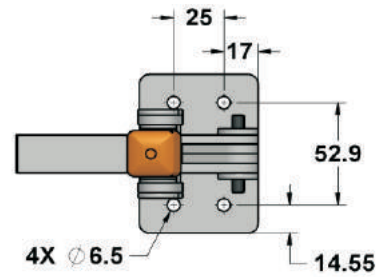
### VERTICAL HEAVY DUTY FLANGE & STRAIGHT BASE

This series is designed for maximum opening to simplify jig loading and for most rugged production jobs. Clamp runs with specially designed pre-lubricated bushes for long life cycle, Silicon rubber grip having large grip surface with oil & heat resistance.

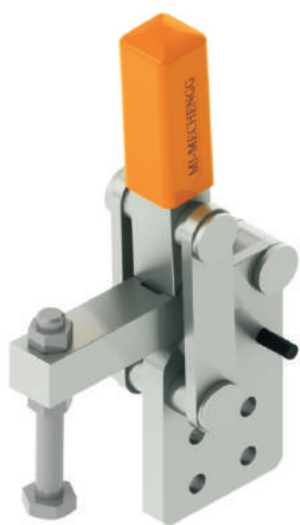
- Material : Steel
- Surface Finish : Electro Zinc - Plated
- Hand Grip : Silicon Rubber
- Clamping Bolt : 8.8 Grade Moulded with NBR



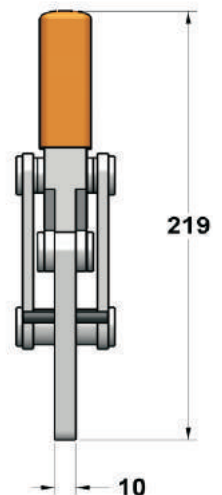
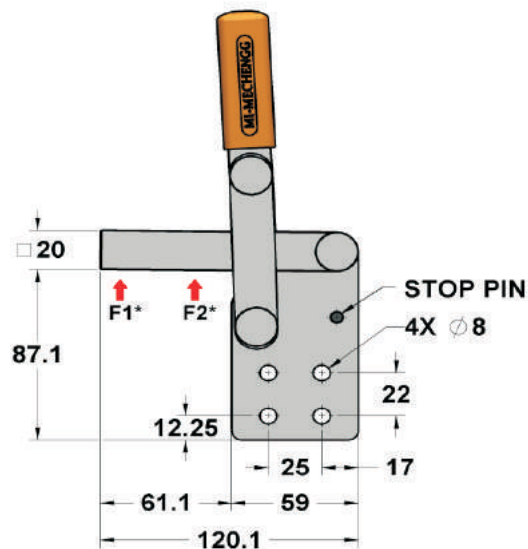
↑ F1\*: 2980(N) ↑ F2\*:6000 (N)  
 Arm opens : 139°  
 Handle moves : 175°  
 Approx  $\triangle$  (kg's) : 1.270  
 Spindle supplied : 10X85 L



**Flange Base Solid Bar**  
MI-VHD-600-FB



↑ F1\*: 2980(N) ↑ F2\*:6000 (N)  
 Arm opens : 139°  
 Handle moves : 175°  
 Approx  $\triangle$  (kg's) : 1.270  
 Spindle supplied : 10X85 L



**Straight Base Solid Bar**  
MI-VHD-600-SB