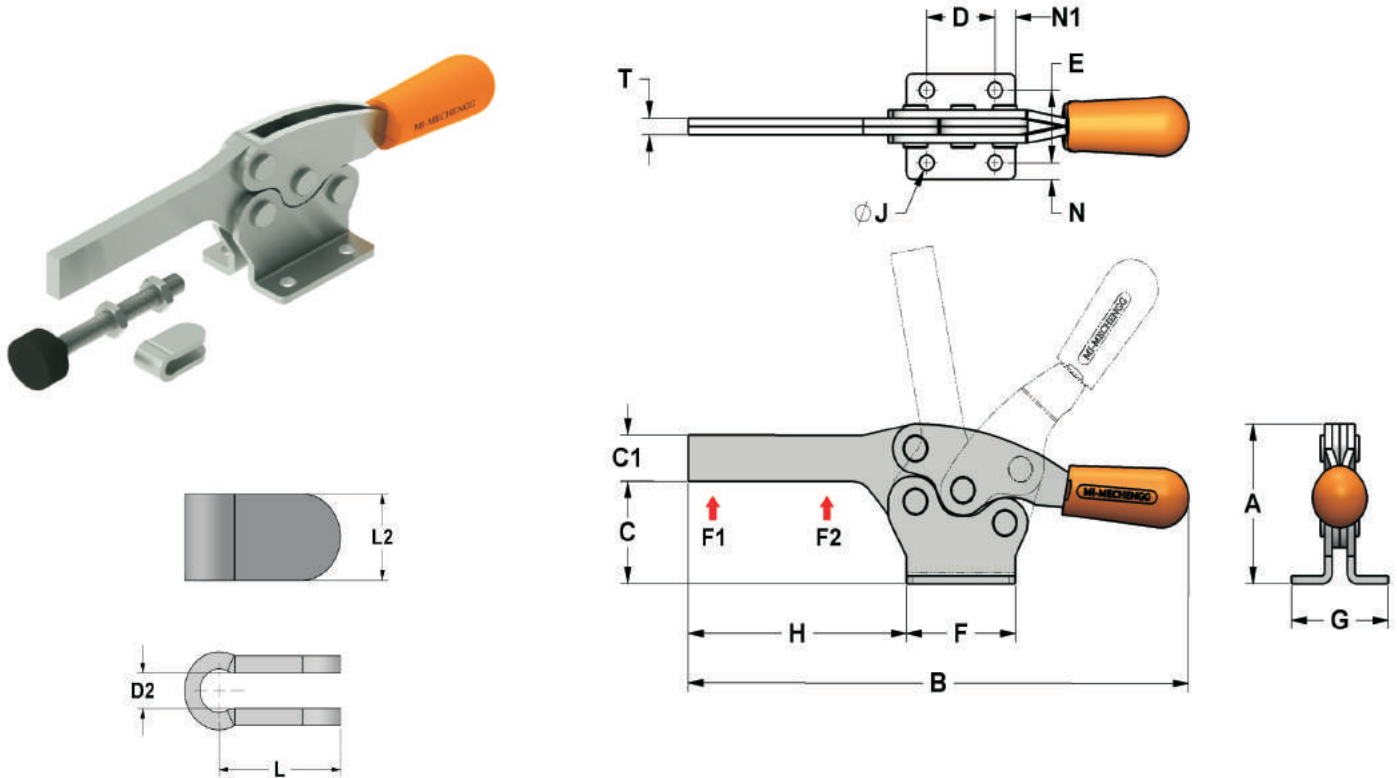


SERIES - MI-H-FS

FLANGE BASE SOLID HOLD DOWN ARM

Supplied with Spindle assemblies & Spindle retainer. Clamp runs with specially designed pre-lubricated bushes for long life cycle. Silicon rubber grip having large grip surface with oil & heat resistance.

Spindle Retainer supplied loose for welding in the desired position.



- **Material** : Steel
- **Surface Finish** : Electro Zinc - Plated
- **Hand Grip** : Silicon Rubber
- **Clamping Bolt** : 8.8 Grade Moulded with NBR

PART NO	ARM OPENS	HANDLE MOVES	HOLDING CAPACITY		APPROX ⚖️ (Kg's)	SPINDLE SUPPLIED (METRIC) PART NO	SPINDLE RETAINER PART NO
			F1 (N)	F2 (N)			
MI-H-150-FS	79°	56°	0750	2000	0.250	NTS-H150	SRH-150
MI-H-250-FS	88°	58°	1000	2500	0.353	NTS-H250	SRH-250
MI-H-350-FS	89°	56°	1780	4000	0.940	NTS-H350	SRH-350
MI-H-650-FS	79°	58°	3250	7000	1.685	NTS-H650	SRH-650

Note : For Spindle & Spindle Retainer dimensions refer accessories page

PART NO	A	B	C	C1	D	E	F	G	H	J	T	N	N1
MI-H-150-FS	45.5	159	31.5	14	24	23.4	35	34	66	4.5	6	5.3	5.5
MI-H-250-FS	54.5	189	35	16	29.5	26.6	45	40	75	6.6	6	6.7	7.7
MI-H-350-FS	79.5	273	49	22	39.5	38	60	55	114	8.5	8	8.5	10.3
MI-H-650-FS	97	330.5	62	28	45	44	72	64	144	9.5	10	10	13.5