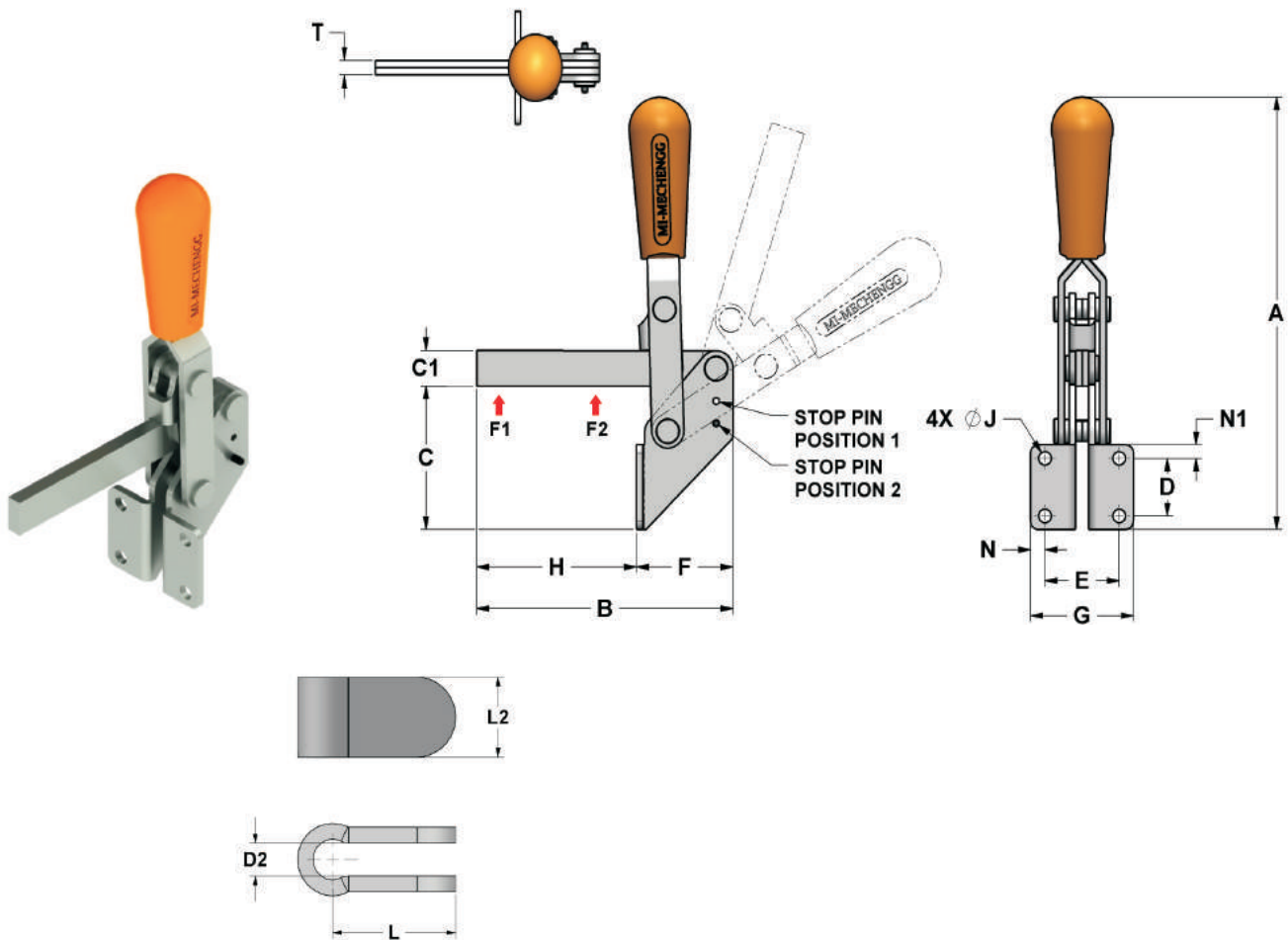


SERIES - MI-V-FMS

FRONT MOUNT SOLID HOLD DOWN ARM

This clamp allow user to mount the clamp on the side of the table / fixture to save precious work surface for other uses. Supplied with Spindle assemblies with Spindle retainer. Clamp runs with specially designed pre-lubricated bushes for long life cycle. Silicon rubber grip having large grip surface with oil & heat resistance.



- Material : Steel
- Surface Finish : Electro Zinc - Plated
- Hand Grip : Silicon Rubber
- Clamping Bolt : 8.8 Grade Moulded with NBR

PART NO	ARM OPENS AT PIN 1	HANDLE MOVES AT PIN 1	ARM OPENS AT PIN 2	HANDLE MOVES AT PIN 2	HOLDING CAPACITY F1 (N)	F2 (N)	APPROX (Kg's)	SPINDLE (METRIC) PART NO	SPINDLE RETAINER PART NO
MI-V-150-FMS	55°	50°	120°	72°	0750	2000	0.475	NTS-V150	SRV-150
MI-V-350-FMS	50°	40°	108°	60°	1780	4000	0.980	NTS-V350	SRV-350

Note : For Spindle & Spindle Retainer dimensions refer accessories page

PART NO	A	B	C	C1	D	E	F	G	H	J	N	N1	T
MI-V-150-FMS	198	112	76	16	19	39	45.5	57	66	7	9	8.5	6
MI-V-350-FMS	255	159	85	21	34	46	60	64	99	8	9	8	8