

SERIES - MI-HDL

HEAVY DUTY LATCH SERIES

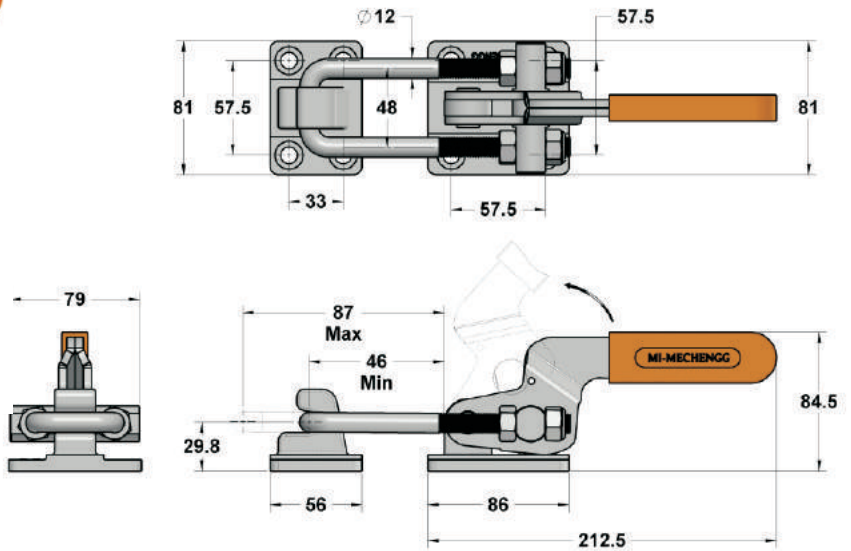
These is a heavy duty models made of high graded lost wax castings for extra strength. It is supplied with hook rod, lock nuts, square bended U bolt & latch clamp. Horizontal Heavy Duty latch clamps are specially suitable for quick closing and fastening of heavy lids, flaps, moulds, sealing chambers etc. This model offers excellent holding capacity. Silicon orange rubber grip surface with oil & heat resistance.

- Material : Steel
- Surface Finish : Electro Zinc - Plated
- Hand Grip : Silicon Rubber

MI-HDL-1800



Holding Capacity : 18000 (N)
Approx $\Delta\Delta$ (kg's) :1.650



MI-HDL-3500



Holding Capacity : 35000 (N)
Approx $\Delta\Delta$ (kg's) : 1.925

