

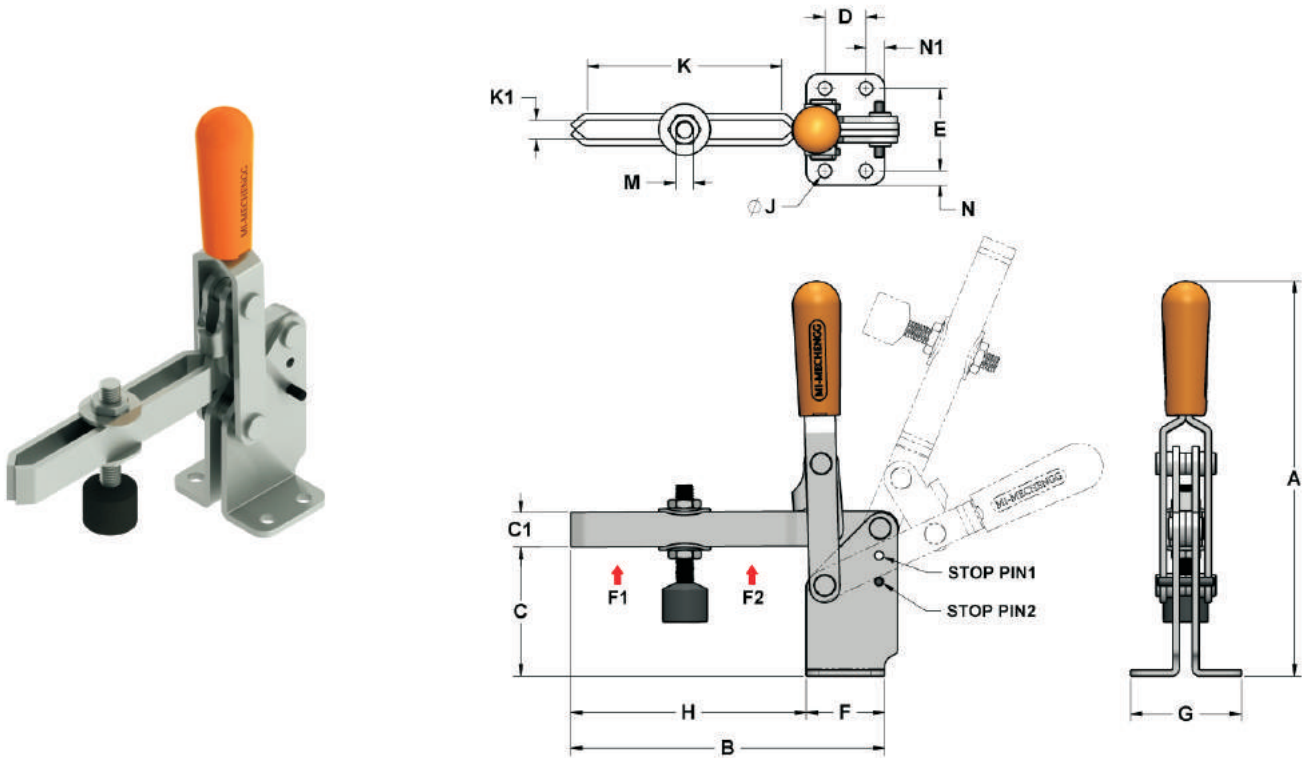
SERIES - MI-V-HFEU

FLANGE - BASE HEIGHT WITH EXTENDED U SHAPED HOLD DOWN ARM

Supplied with Spindle assemblies & Flange washers. Clamp runs with specially designed pre-lubricated bushes for long life cycle. Silicon rubber grip having large grip surface with oil & heat resistance.

This series has two major advantages:

Its with maximum clearance below the clamping arm were the job with maximum thickness can be held. long holding arm which helps to hold the job to the maximum extended length.



- **Material** : Steel
- **Surface Finish** : Electro Zinc - Plated
- **Hand Grip** : Silicon Rubber
- **Clamping Bolt** : 8.8 Grade Moulded with NBR

PART NO	ARM OPENS AT PIN 1	HANDLE MOVES AT PIN 1	ARM OPENS AT PIN 2	HANDLE MOVES AT PIN 2	HOLDING CAPACITY F1 (N)	F2 (N)	APPROX (Kg's)	SPINDLE SUPPLIED (METRIC) PART NO
MI-V-50-HFEU	89°	60°	-	-	230	500	0.105	NTS-V50
MI-V-100-HFEU	81°	56°	-	-	0420	1000	0.209	NTS-V100
MI-V-150-HFEU	46°	46°	112°	70°	0750	2000	0.480	NTS-V150

Note : For Spindle dimensions refer accessories page

PART NO	A	B	C	C1	D	E	F	G	H	J	K	K1	M	N	N1
MI-V-50-HFEU	99	81	31	9	15.9	24	25	34	56	4.3	47	5.5	M5	5	4.6
MI-V-100-HFEU	143	96	48	10	15.9	27	26	38	70	5.2	55	6	M6	5.5	5.1
MI-V-150-HFEU	182	144.5	60	16	18.9	38	36	51	108.5	6.3	90	9	M8	6.5	8.6