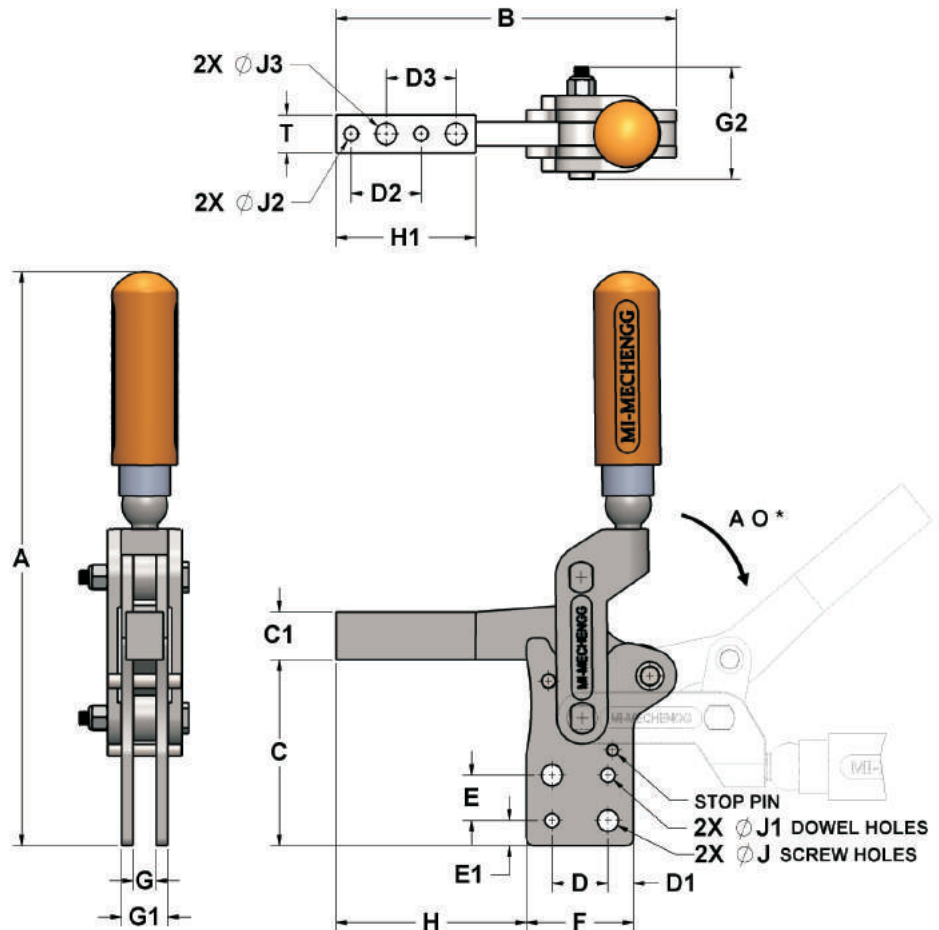


MI - VERTICAL AUTOMOTIVE CLAMPS - HORIZONTAL ARM WITH STRAIGHT BASE

These straight base horizontal arm series comes with the solid drilled arm which allows the designer to identify the suitable position to lock the extended fabricated parts as per the application. These models feature with the straight base for situation where a vertical surface is used to mount the clamp, which can be directly bolt mounted or welded to a fixture. These series clamp have more height under the clamping bar. Horizontal solid arm allows wide opening angle which enables easy loading and unloading of the workpiece. All MI clamps comes with an unique silicon rubber grip which is only manufactured by MI which withstands high temperatures at work place. These clamps are finished black oxide.



PART NO	AO WITH SP	AO WO SP	A	B	C	C1	D	D1	D2	D3	E	E1	F	G	G1	G2	H	H1	J	J1	J2	J3	T
MI-AMV-700-HA/SB	140	210	240.7	146.3	78	20	24.1	10.95	30	30	19.1	10.45	46	10	20	47	81.8	60	9	6	6	9	16
MI-AMV-1200-HA/SB	135	205	293.7	175.4	105.5	30	30.1	10.95	30	30	30.1	8.45	52	12	24	55	97.9	65	9	6	6	9	16
MI-AMV-2500-HA/SB	140	205	359.3	205.5	133.1	30	30.1	16.95	30	30	30.1	12.45	64	16	28	59	106.5	90	9	6	6	9	16