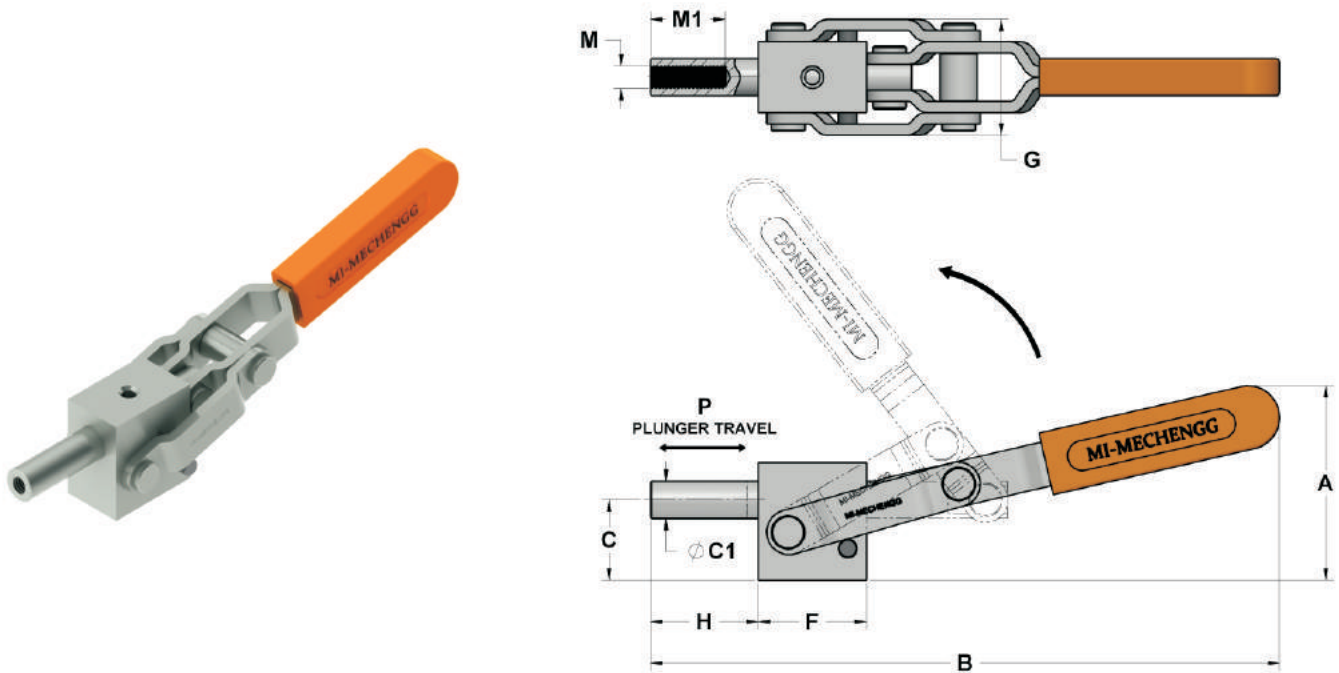


SERIES - MI-HDPS - RB

HEAVY DUTY SOLID BASE MOUNT WITH ROUND BAR

This model offers an excellent holding capacity. This low profile fast acting clamp comes with plunger ground and oiled for precise fit and smoothness in movements and has a tapped hole. Silicon orange rubber grip having large grip surface with oil & heat resistance. This can be mounted through bolts on the working table.



- **Material** : Steel
- **Surface Finish** : Electro Zinc - Plated
- **Hand Grip** : Silicon Rubber
- **Clamping Bolt** : 8.8 grade Moulded with NBR

PART NO	HOLDING CAPACITY (N)	APPROX Δ (Kg's)	SPINDLE SUPPLIED (METRIC) PART NO
MI-HDPS-350-RB	03500	0.350	NTS-HD150
MI-HDPS-1150-RB	11500	0.715	NTS-HD250
MI-HDPS-2650-RB	26500	1.505	NTS-HD650
MI-HDPS-4550-RB	45500	2.725	NTS-HD650

Note : For spindle dimensions refer accessories page

PART NO	A	B	C	C1	F	G	H	M	M1	P
MI-HDPS-350-RB	52	168.5	21.5	10	29	31	29	M6	20	26
MI-HDPS-1150-RB	62	240	28.5	12	51	41	38.5	M8	30	36
MI-HDPS-2650-RB	83.5	313	31.5	20	68	59	44.5	M12	40	45
MI-HDPS-4550-RB	82.5	380	39	25	75	65	84	M12	50	70