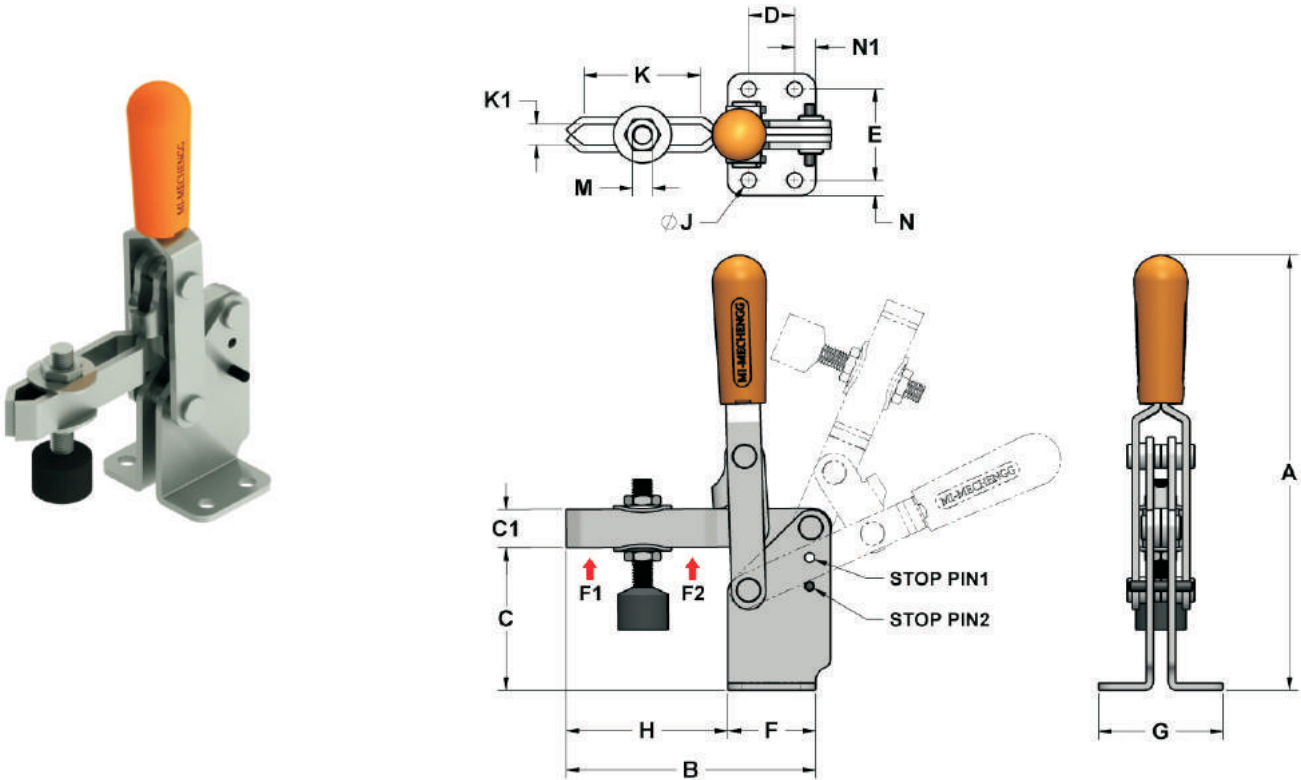


SERIES - MI-V-HFU

FLANGE - BASE HEIGHT U SHAPED HOLD DOWN ARM

Supplied with Spindle assemblies & Flange washers. Clamp runs with specially designed pre-lubricated bushes for long life cycle. Silicon rubber grip having large grip surface with oil & heat resistance.

This series has a max clearance below the clamping arm where the job with maximum thickness can be held.



- Material : Steel
- Surface Finish : Electro Zinc - Plated
- Hand Grip : Silicon Rubber
- Clamping Bolt : 8.8 Grade Moulded with NBR

PART NO	ARM OPENS AT PIN 1	HANDLE MOVES AT PIN 1	ARM OPENS AT PIN 2	HANDLE MOVES AT PIN 2	HOLDING CAPACITY F1 (N)	F2 (N)	APPROX Δ (Kg's)	SPINDLE SUPPLIED (METRIC) PART NO
MI-V-50-HFU	89°	60°	-	-	0230	0500	0.97	NTS-V50
MI-V-100-HFU	81°	56°	-	-	0420	1000	0.189	NTS-V100
MI-V-150-HFU	46°	46°	112°	70°	0750	2000	0.450	NTS-V150

Note : For Spindle dimensions refer accessories page

PART NO	A	B	C	C1	D	E	F	G	H	J	K	K1	M	N	N1
MI-V-50-HFU	99	56	31	9	15.9	24	25	34	31	4.3	22	5.5	M5	5	4.6
MI-V-100-HFU	143	70	48	10	15.9	27	26	38	44	5.2	29	6	M6	5.5	5.1
MI-V-150-HFU	182	102	60	16	18.9	38	36	51	66	6.3	48	9	M8	6.5	8.6