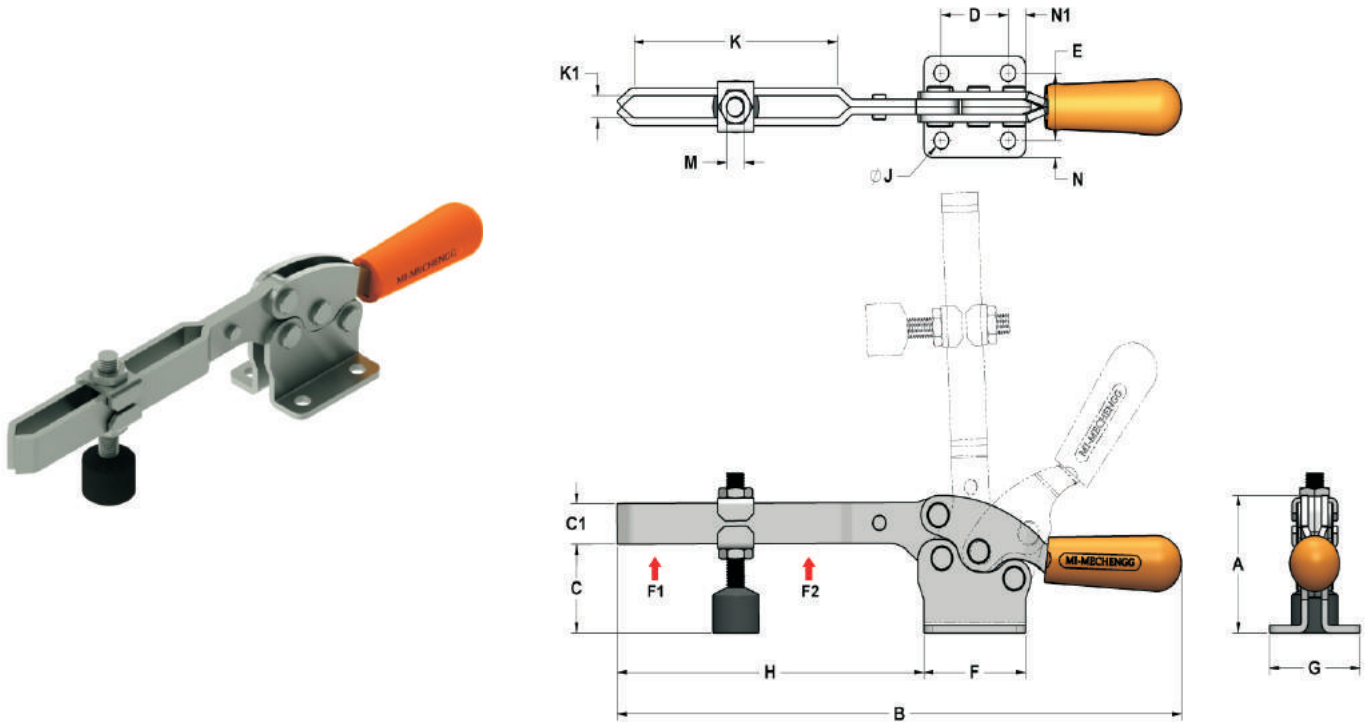


SERIES - MI-H-FEU

FLANGE BASE EXTENDED U SHAPED ARM

Supplied with Spindle assemblies & Flange washers. Silicon rubber grip having large grip surface with oil & heat resistance. This series has a long arm which helps to hold the job to the maximum extended length.



- Material : Steel
- Surface Finish : Electro Zinc - Plated
- Hand Grip : Silicon Rubber
- Clamping Bolt : 8.8 grade Moulded with NBR

PART NO	ARM OPENS	HANDLE MOVES	HOLDING CAPACITY		APPROX	SPINDLE SUPPLIED
			F1 (N)	F2 (N)	(Kg's)	(METRIC) PART NO
MI-H-75-FEU	79°	53°	350	750	0.185	NTS-H75
MI-H-150-FEU	79°	56°	750	1500	0.265	NTS-H150
MI-H-250-FEU	88°	58°	1000	2500	0.385	NTS-H250

Note : For Spindle dimensions refer accessories page

PART NO	A	B	C	C1	D	E	F	G	H	J	K	K1	M	N	N1
MI-H-75-FEU	45.5	162	28	14	19	19.4	30	30	71.5	4.5	47	5.5	M5	5.3	5.5
MI-H-150-FEU	45.5	177	31.5	14	24	23.4	35	34	84	4.5	55	6	M6	5.3	5.5
MI-H-250-FEU	54.5	249.5	35	16	29.5	26.6	45	40	135.5	6.6	90	9	M8	6.7	7.7