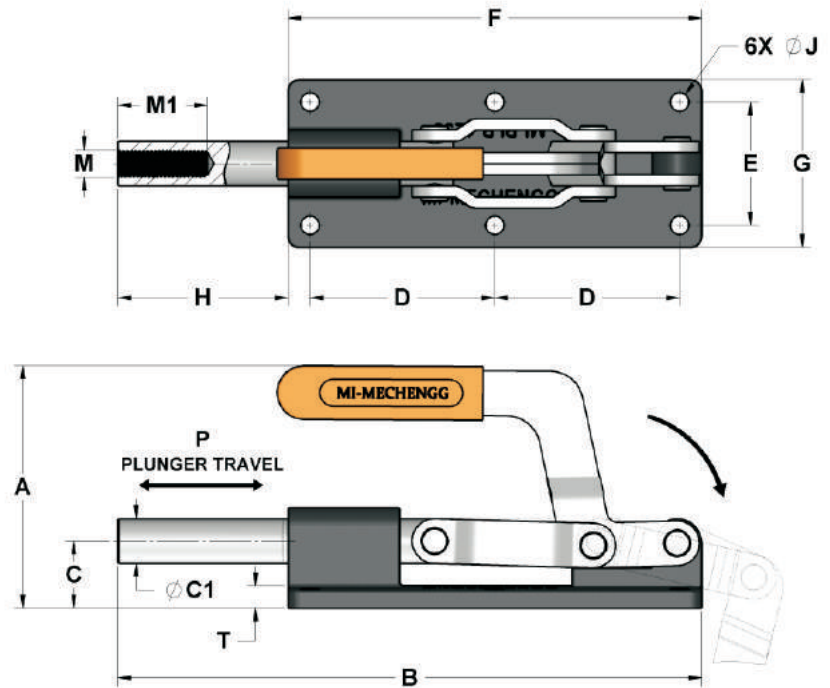


SERIES - MI-PLP-RB

HEAVY DUTY LOW PROFILE NARROW BASE ROUND BAR

This series is very compact relative to its stroke and holding capacity. The plunger is ground and oiled for precise fit and smoothness. This narrow based extremely powerful plunger clamp has a lost waxed steel base. Locks in both extended or retracted position.



- **Material** : Steel / **Base** : Casting - **Surface Finish** : Electro Zinc - Plated
- **Hand Grip** : Silicon Rubber - **Clamping Bolt** : 8.8 grade Moulded with NBR

| PART NO | HOLDING CAPACITY (N) | APPROX \triangle (Kg's) | SPINDLE SUPPLIED (METRIC) PART NO |
|----------------|----------------------|---------------------------|-----------------------------------|
| MI-PLP-650-RB | 6500 | 0.860 | NTS-PL250 |
| MI-PLP-850-RB | 8500 | 1.250 | NTS-PL350 |
| MI-PLP-1250-RB | 12500 | 2.010 | NTS-PL650 |
| MI-PLP-2050-RB | 20500 | 3.715 | NTS-PL550 |

Note : For Spindle dimensions refer accessories page

| PART NO | A | B | C | C1 | D | D1 | E | F | G | H | J | M | M1 | P | T |
|----------------|-------|-------|------|----|------|------|------|-----|----|------|------|-----|----|----|------|
| MI-PLP-650-RB | 72 | 151.5 | 19.5 | 12 | 46 | 46 | 44 | 110 | 60 | 41.5 | 6.5 | M8 | 30 | 40 | 6 |
| MI-PLP-850-RB | 87.5 | 182.5 | 25 | 16 | 52.1 | 52.1 | 48.1 | 130 | 65 | 52.5 | 8.2 | M10 | 30 | 50 | 8 |
| MI-PLP-1250-RB | 108.5 | 261 | 30 | 20 | 82.6 | 82.6 | 55.1 | 185 | 75 | 76 | 8.2 | M12 | 40 | 74 | 10 |
| MI-PLP-2050-RB | 134.5 | 325 | 35.5 | 25 | 95.1 | 95.1 | 66.1 | 215 | 90 | 110 | 10.2 | M16 | 50 | 99 | 12.5 |