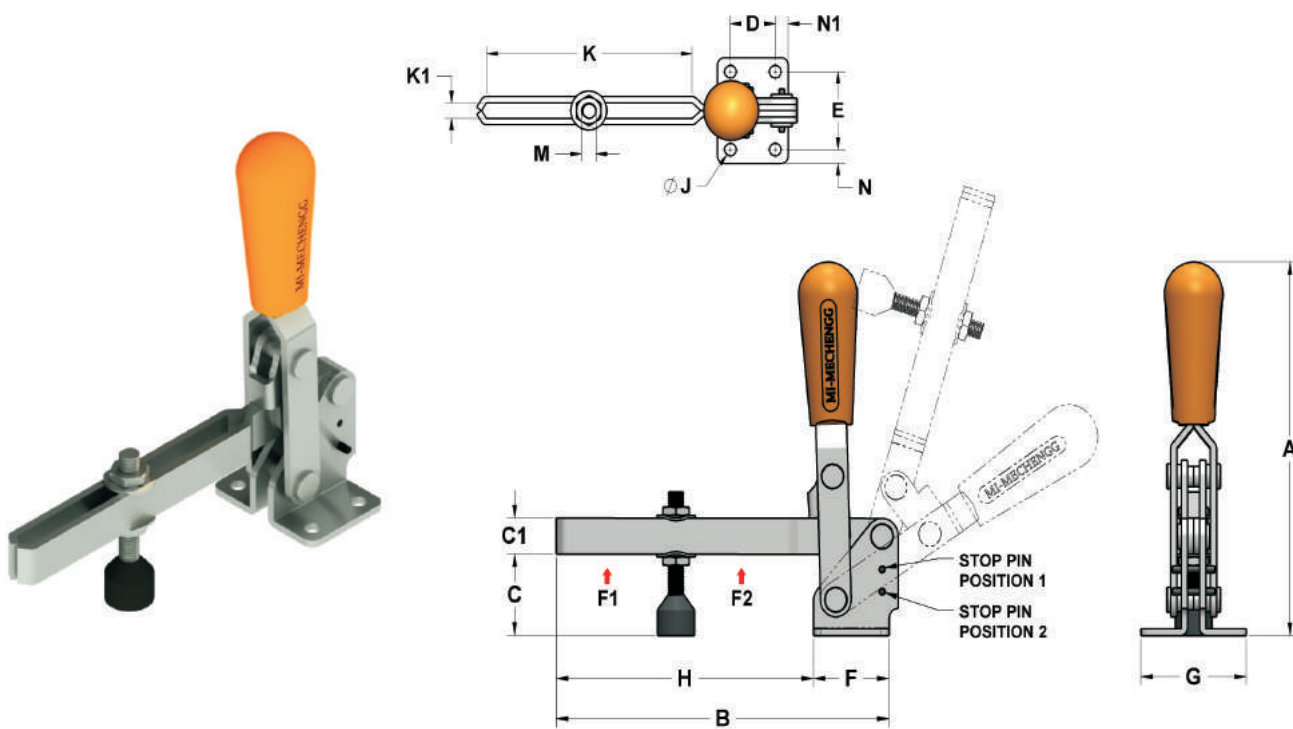


SERIES - MI-V-FEU

FLANGE BASE EXTENDED U SHAPED ARM

Supplied with Spindle assemblies & Flange washers. Clamp runs with specially designed pre-lubricated bushes for long life cycle. Silicon rubber grip having large grip surface with oil & heat resistance.

This series has a long holding arm which helps to hold the job to the maximum extended length.



- **Material** : Steel
- **Surface Finish** : Electro Zinc - Plated
- **Hand Grip** : Silicon Rubber
- **Clamping Bolt** : 8.8 Grade Moulded with NBR

PART NO	ARM OPENS AT PIN 1	HANDLE MOVES AT PIN 1	ARM OPENS AT PIN 2	HANDLE MOVES AT PIN 2	HOLDING CAPACITY F1 (N)	F2 (N)	APPROX Δ (Kg's)	SPINDLE SUPPLIED (METRIC) PART NO
MI-V-50-FEU	89°	60°	-	-	0230	0500	0.95	NTS-V50
MI-V-100-FEU	81°	56°	-	-	0420	1000	0.190	NTS-V100
MI-V-150-FEU	46°	46°	112°	70°	0750	2000	0.430	NTS-V150
MI-V-350-FEU	50°	40°	110°	60°	1780	4000	1.050	NTS-V350

Note : For Spindle dimensions refer accessories page

PART NO	A	B	C	C1	D	E	F	G	H	J	K	K1	M	N	N1
MI-V-50-FEU	85	81	16	9	15	24	25	34	56	4.5	47	5.5	M5	5	5
MI-V-100-FEU	119	96	24	10	14	26	26	38	70	5	55	6	M6	6	6
MI-V-150-FEU	158	144	36	16	19	38	36	51	108	7	90	9	M8	6.5	8.5
MI-V-350-FEU	218	216	48	21	31	50	49	68	167	8	142	10	M10	9	9