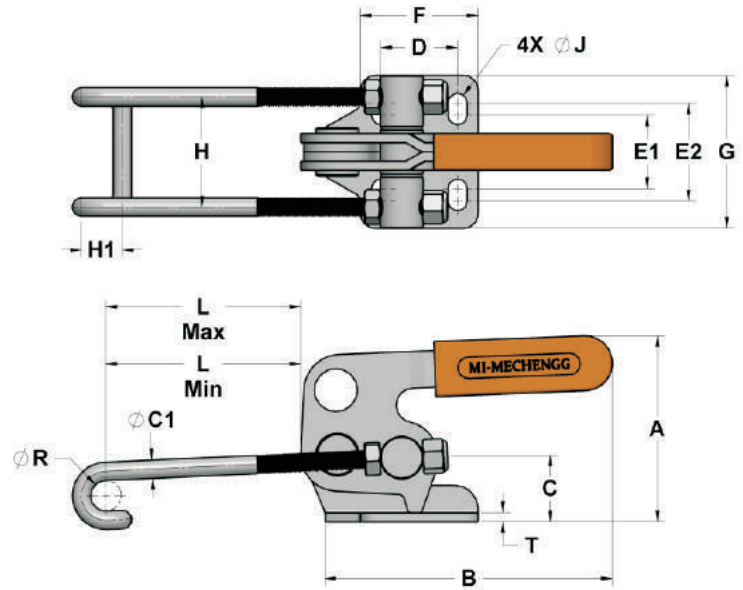


SERIES - MI-L-U

HOOK SHAPED U BENDED SQUARE ROD

This clamp has an unique feature where the U bended square rod has a hook shape where you can clamp directly to the lid or covers without the latch plate. This clamp is most commonly used for the closing and sealing of lids or covers on both stationary and rotating vessels, drums and pressure containers. The pull bar is threaded for easy adjustment for maximum pull. Silicon rubber grip having large grip surface with oil & heat resistance.



- Material : Steel - Surface Finish : Electro Zinc - Plated
- Hand Grip : Silicon Rubber

PART NO	HOLDING CAPACITY (N)	APPROX $\frac{\Delta}{\Delta}$ (Kg's)
MI-L-100-H-U	1000	0.100
MI-L-250-H-U	2500	0.190
MI-L-400-H-U	4000	0.315

PART NO	A	B	C	C1	D	E1	E2	F	G	H	H1	J	L max	L min	R	T
MI-L-100-H-U	45.5	71.5	16.5	4	16	17.2	22.8	26	35	23	10.5	4.2	46	22	6	2
MI-L-250-H-U	50.5	86	18	4	20	28.7	35.3	32.2	48	30	11.5	6.2	46	17	8	3
MI-L-400-H-U	61	94	22	6	25	24	32	38.5	50	36	13.5	6.2	64	29	10	3