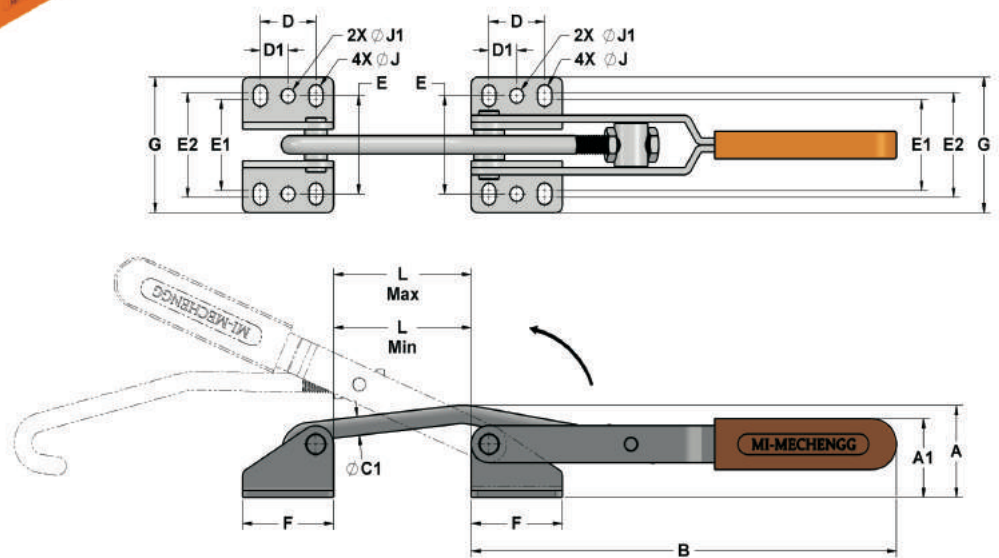


SERIES - MI-HKF-C

HOOK LATCH SERIES FLANGE BASE - WITH COUNTER HOLD

This clamp is most commonly used for the closing and sealing of lids or covers on both stationary and rotating vessels, drums and pressure containers. The pull bar is threaded for easy adjustment for maximum pull. Silicon rubber grip having large grip surface with oil & heat resistance.



- **Material** : Steel
- **Surface Finish** : Electro Zinc - Plated
- **Hand Grip** : Silicon Rubber

PART NO	HOLDING CAPACITY (N)	APPROX (Kg's)
MI-HKF-75-C	750	0.220
MI-HKF-200-C	2000	0.445
MI-HKF-400-C	4000	0.800
MI-HKF-500-C	5000	1.560

PART NO	A	A1	B	C1	D	D1	E	E1	E2	F	G	J	J1	Lmax	Lmin
MI-HKF-75-C	27.9	22.5	131	6	16.1	8.05	29.1	27.1	31.1	27	40.4	4.3	4.3	24.5	18
MI-HKF-200-C	40	34	192	8	25.1	12.55	42.5	39.5	45.5	41	58.7	6.3	6.3	62	48
MI-HKF-400-C	63.5	50	205	10	30.1	15.05	48.1	47.1	49.1	50	68	6.3	6.3	95	75
MI-HKF-500-C	69	60.5	281	12	29.1	-	60.1	-	-	55	86	10.3	-	90	65