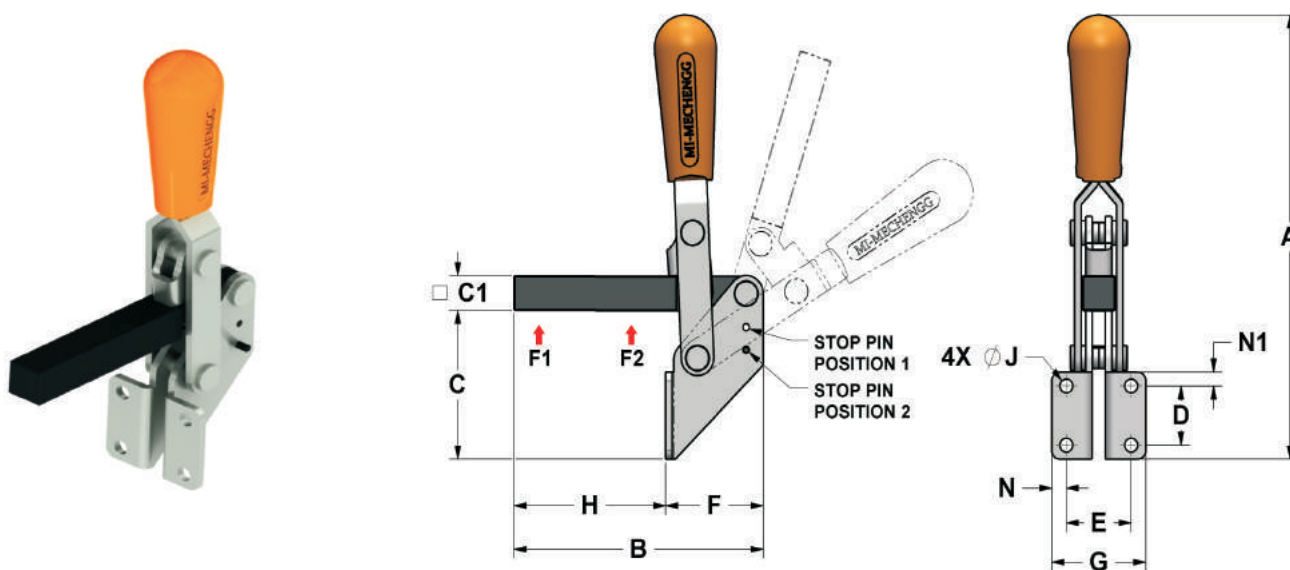


SERIES - MI-V-FMSB

FRONT MOUNT SOLID HOLD DOWN BAR

This clamp allow user to mount the clamp on the side of the table / fixture to save precious work surface for other uses. These clamps have solid SQ shaped bar. This bar can be cut into any preferred size, it can be drilled in any preferred position or a clamping assembly can be welded to the bar as per the application. Clamp runs with specially designed pre-lubricated bushes for long life cycle. Silicon rubber grip having large grip surface with oil & heat resistance.

★ Spindle to be ordered separately



- Material : Steel
- Surface Finish : Electro Zinc - Plated
- Hand Grip : Silicon Rubber
- Clamping Bolt : 8.8 Grade Moulded with NBR

PART NO	ARM OPENS AT PIN 1	HANDLE MOVES AT PIN 1	ARM OPENS AT PIN 2	HANDLE MOVES AT PIN 2	HOLDING CAPACITY		APPROX	SPINDLE (optional)
					F1 (N)	F2 (N)	(Kg's)	(METRIC) PART NO
MI-V-100-FMSB	81°	56°	-	-	600	1500	0.245	NTS-V100
MI-V-150-FMSB	46°	46°	112°	70°	1000	2500	0.540	NTS-V150
MI-V-350-FMSB	50°	40°	108°	60°	1980	4500	1.120	NTS-V350

Note : For Spindle dimensions refer accessories page

PART NO	A	B	C	C1	D	E	F	G	H	J	N	N1
MI-V-100-FMSB	154	80	64	10	18	41	30	54	50	5	6.5	8.5
MI-V-150-FMSB	198	113	76	16	19	39	45.5	57	67.5	7	9	8.5
MI-V-350-FMSB	255	153.5	85	20	34	40	60	58	93.5	8	9	8