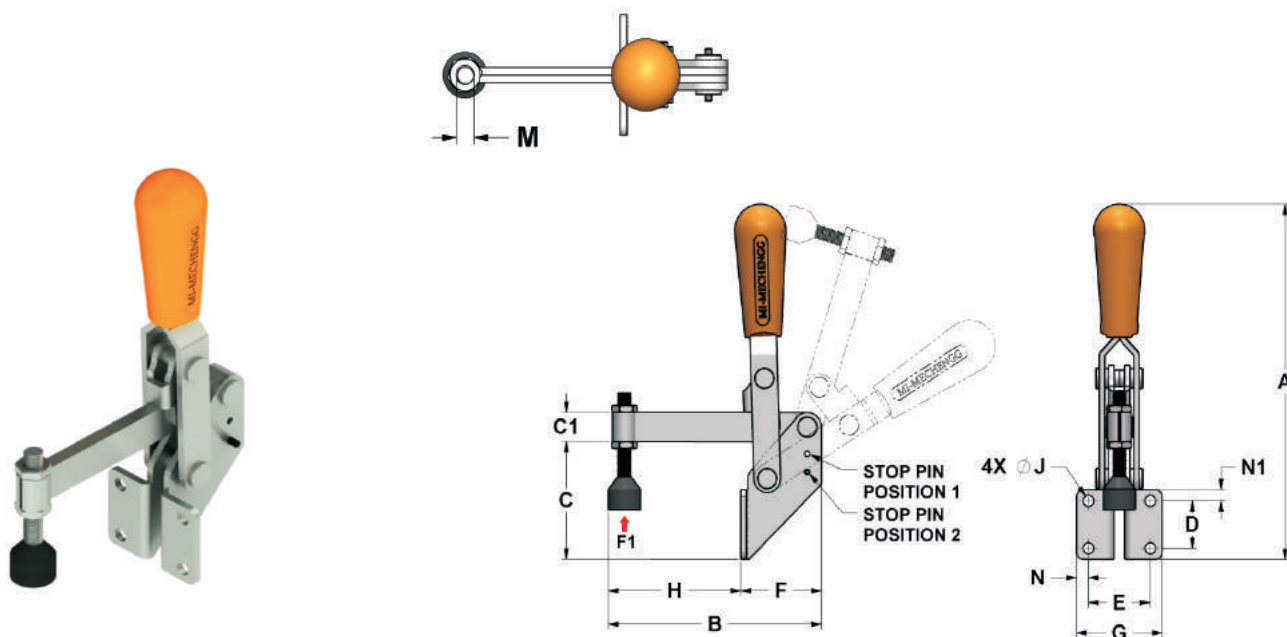


SERIES - MI-V-FMF

FRONT MOUNT FIXED HOLD DOWN ARM

This clamp allow user to mount the clamp on the side of the table / fixture to save precious work surface for other uses. supplied with Spindle assemblies. Clamp runs with specially designed pre-lubricated bushes for long life cycle. Silicon rubber grip having large grip surface with oil & heat resistance.



- **Material** : Steel
- **Surface Finish** : Electro Zinc - Plated
- **Hand Grip** : Silicon Rubber
- **Clamping Bolt** : 8.8 Grade Moulded with NBR

PART NO	ARM OPENS AT PIN 1	HANDLE MOVES AT PIN 1	ARM OPENS AT PIN 2	HANDLE MOVES AT PIN 2	HOLDING CAPACITY F1 (N)	APPROX $\frac{\Delta}{\Delta}$ (Kg's)	SPINDLE SUPPLIED (METRIC) PART NO
MI-V-100-FMF	81°	56°	-	-	0420	0.235	NTS-V100
MI-V-150-FMF	46°	46°	112°	70°	0750	0.455	NTS-V150
MI-V-350-FMF	50°	40°	108°	60°	1780	0.950	NTS-V350

Note : For Spindle dimensions refer accessories page

PART NO	A	B	C	C1	D	E	F	G	H	J	M	N	N1
MI-V-100-FMF	154	74	64	10	18	41	30	54	44	5	M6	6.5	8.5
MI-V-150-FMF	198	112	76	16	19	39	45.5	57	67	7	M8	9	8.5
MI-V-350-FMF	255	159	85	21	34	46	60	64	99	8	M10	9	8