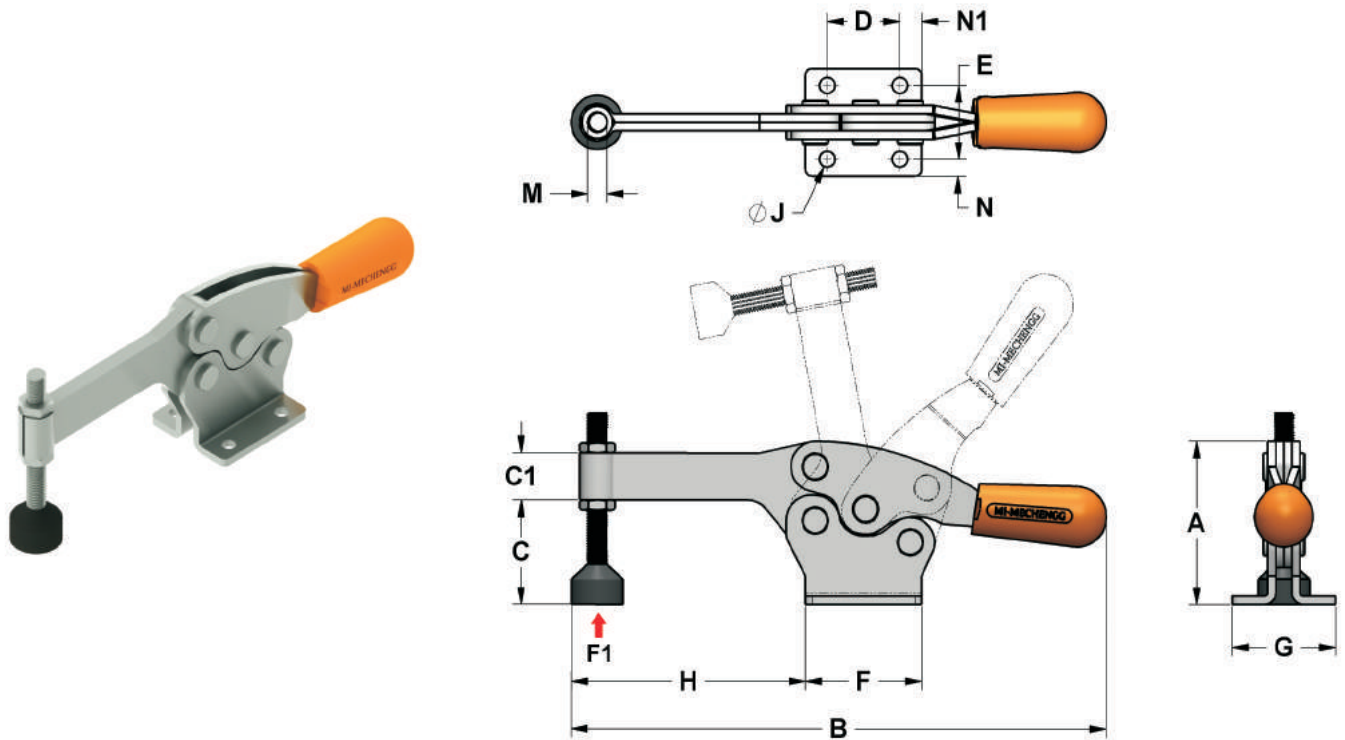


SERIES - MI-H-FF

FLANGE BASE FIXED HOLD DOWN ARM

Supplied with Spindle assemblies. Clamp runs with specially designed pre-lubricated bushes for long life cycle. Silicon rubber grip having large grip surface with oil & heat resistance.



- **Material** : Steel
- **Surface Finish** : Electro Zinc - Plated
- **Hand Grip** : Silicon Rubber
- **Clamping Bolt** : 8.8 Grade Moulded with NBR

PART NO	ARM OPENS	HANDLE MOVES	HOLDING CAPACITY F1 (N)	APPROX (Kg's)	SPINDLE SUPPLIED (METRIC) PART NO
MI-H-75-FF	79°	53°	0350	0.160	NTS-H75
MI-H-150-FF	79°	56°	0750	0.235	NTS-H150
MI-H-250-FF	88°	58°	1000	0.335	NTS-H250
MI-H-350-FF	89°	56°	1780	0.915	NTS-H350
MI-H-650-FF	79°	58°	3250	1.650	NTS-H650

Note : For Spindle dimensions refer accessories page

PART NO	A	B	C	C1	D	E	F	G	H	J	M	N	N1
MI-H-75-FF	45.5	145	28	14	19	19.4	30	30	54	4.5	M5	5.3	5.5
MI-H-150-FF	45.5	159	31.5	14	24	23.4	35	34	66	4.5	M6	5.3	5.5
MI-H-250-FF	54.5	189	35.5	16	29.5	26.6	45	40	75	6.6	M8	6.7	7.7
MI-H-350-FF	79.5	273	49	22	39.5	38	60	55	113	8.5	M10	8.5	10.3
MI-H-650-FF	97	332	62	28	45	44	72	64	145	9.5	M12	10	13.5