

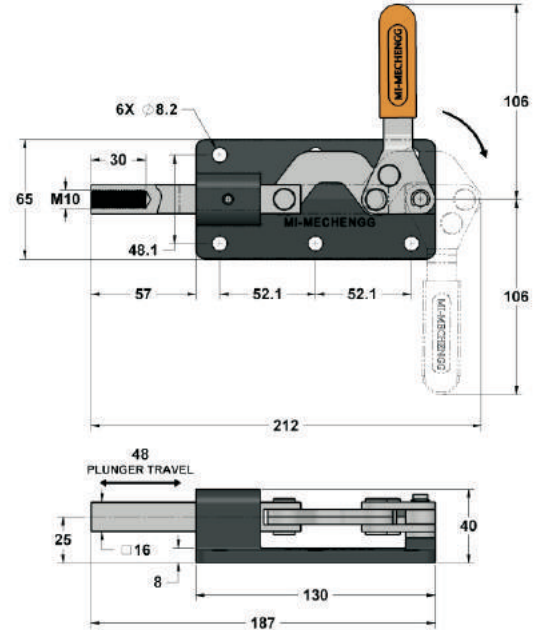
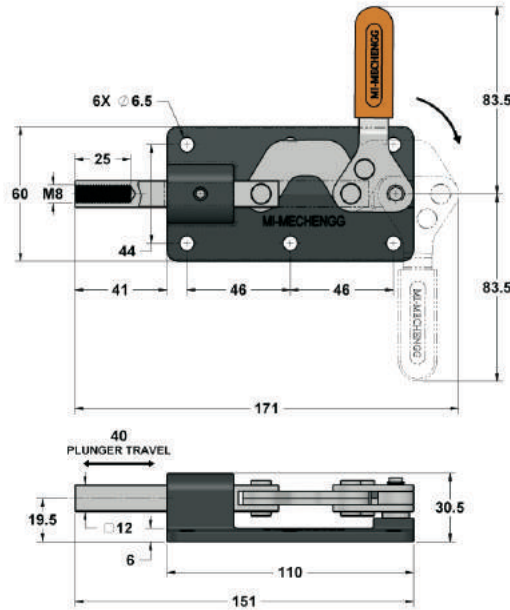
SERIES - MI-PLH & PRH

FLAT PROFILE NARROW BASED SQUARE BAR

This series swings horizontally instead of vertically and this is too compact mainly used for height restricted space conditions and this comes with two models left handed and right handed usage is shown in the below application image. Silicon rubber grip having large grip surface with oil & heat resistance.

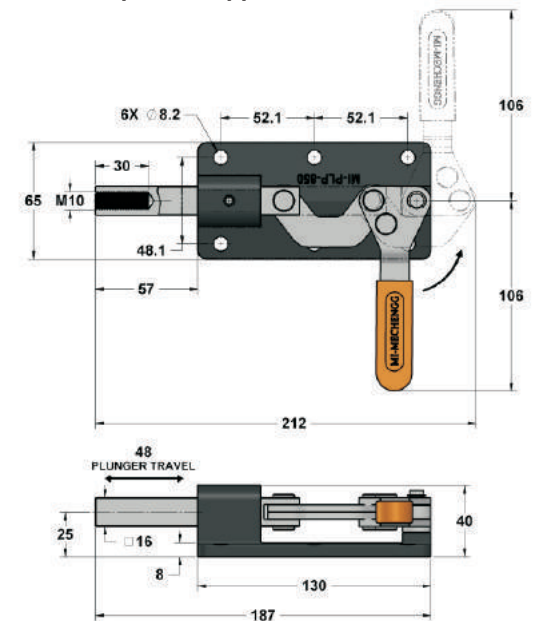
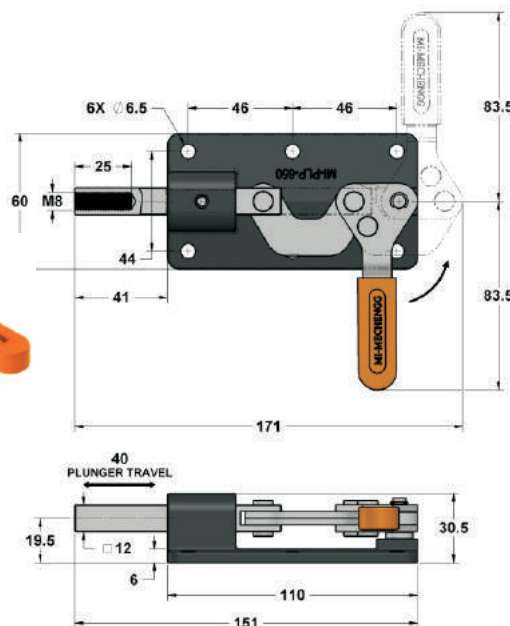
Part no : MI-PRH-650-SQ
 Holding capacity : 6500 (N)
 Approx $\Delta\Delta$ (kg's) :0.575
 Spindle supplied : NTS-PL250

Part no : MI-PRH-850-SQ
 Holding capacity : 8500 (N)
 Approx $\Delta\Delta$ (kg's) :1.150
 Spindle supplied : NTS-PL350



Part no : MI-PIH-650-SQ
 Holding Capacity : 6500 (N)
 Approx $\Delta\Delta$ (kg's) :0.575
 Spindle supplied : NTS-PL250

Part no : MI-PIH-850SQ
 Holding Capacity : 8500 (N)
 Approx $\Delta\Delta$ (kg's) :1.150
 Spindle supplied : NTS-PL350



Note : For Spindle dimensions refer accessories page